

MSR2007

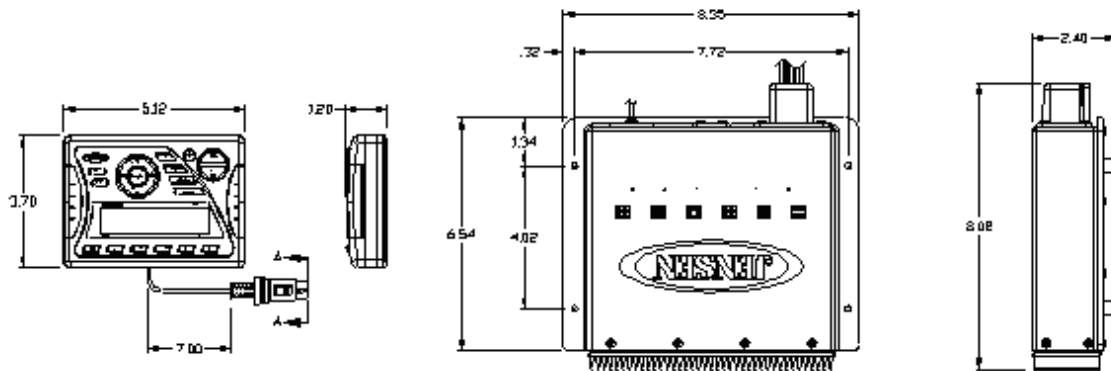
Forget the weatherproof housing, this modular design consists of a compact full function, waterproof commander (IPX6 rated) with compact, high tech styling and a remotely mounted tuner/amplifier unit. Features of this AM/FM, SIRIUS® satellite radio ready stereo include 160 watts of power, full iPod® control, and zero current memory draw.

- 4x40W Output power
- Silver color Waterproof (IPX6) Wired Commander
 - Separate water resistant Tuner/ Amp Module can be remotely located
- Sirius® Satellite Radio Ready (Tuner sold separately)
 - Full iPod Controls
- (Adapter cable sold separately)
- Zero Memory Current Draw (Non-Volatile Memory)
- Low battery voltage warning
- Dot Matrix Positive LCD Display with blue backlight
 - Wired remote ready
- US/ Euro frequency selection
- Conformal coated circuit boards
- Non-absorbing PCB insulator
 - Rubber keypad controls
 - UV-Resistant front panel (ASTMB117 compliant)
- Corrosion resistant materials/finishes (ASTMD4329 compliant)
 - Station presets (18FM, 6AM)
 - Aux audio input (chassis RCA)
- Stereo RCA pre-amp audio output
- Clock (satellite radio mode only)

Issues

If audio only fades in/out in FM mode, and audio working okay in aux or sirius mode, then probably tuner issue.

I found some tuner issue in rev. b,c



Specifications

General Specifications

Power System 12VDC

Operating Voltage Range 10V to 14.4V

Idle 70mA

Current Draw @ Nominal 4A

12V Maximum 12A

Operating Temperature Range 14°F to 140°F -10°C to +60°C

Storage Temperature Range -4°F to 158°F -20°C to +70°C

Maximum Relative Humidity 80%

Overall Dimensions -

Product Weight (unpacked) 1.52 Kg

Performance Specifications

FM Sensitivity 3uV

AM Sensitivity 30uV

CD Frequency Response -

CD Signal to Noise -

CD Skip Threshold (Random Freq. Profile) -

Compatible CD Formats -

Output Power MRMaxSim um 3262WW

Total Harmonic Distortion 10%

