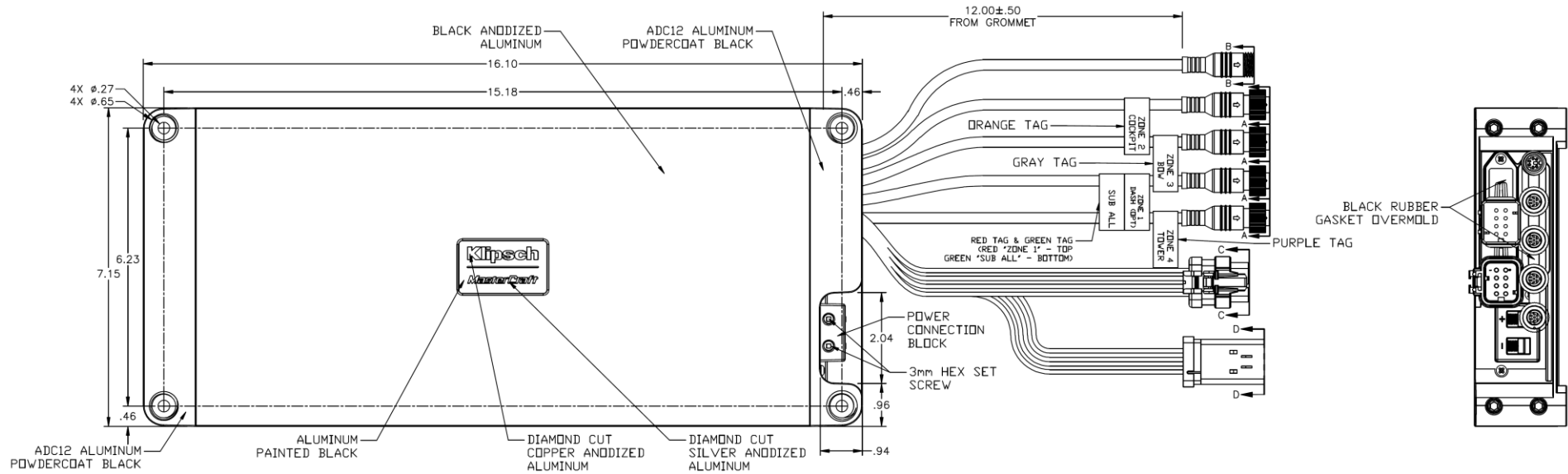


**EXHIBIT B**  
**KMC8PA – 8 CHANNEL KLIPSCH AMPLIFIER**



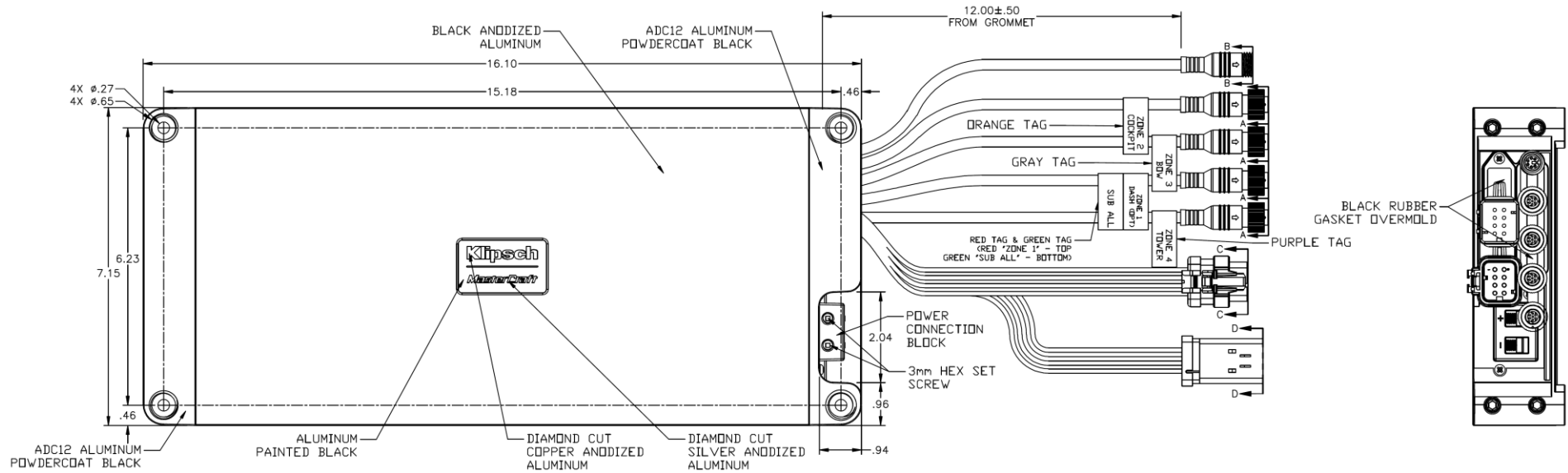
**Features:**

- Class D Full Range Design
- Compact Size with Stack Mounting option
- Black Powder Coated Chassis
- High Efficiency
- OEM Connectivity
- Differential Audio

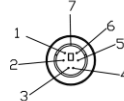
**Specifications**

Power System	12V DC	
Operating Voltage Range	10.8V to 15V	
Current Draw @ 12V	Idle	< 3 mA
	Nominal	1.2 A
	Maximum	80 A
Operating Temperature Range	-4°F to 140°F	-20°C to 60°C
Storage Temperature Range	-40°F to 185°F	-40°C to 85°C
Maximum Relative Humidity	100 %	
Product Weight (unpacked)	8.8 lb	
RMS Power	8 x 100W @ 4Ω	
Max Power	8 x 110W @ 2Ω	
S/N	100 dB	
THD + N @ Rated Power	<0.05 % @ 4Ω	
Frequency Response	20Hz - 20KHz	
Fuse Rating	80 A	
Applied Test Suite Environ/ Electrical	ASA ES0001	
Regulatory Certification	CE	

**EXHIBIT B**  
**I/Os**



VIEW A-A



SHOWN FROM PIN VIEW

PIN NO.	WIRE COLOR	DESC
1	WHITE/BLACK	X-
2	WHITE	X+
3	BROWN	MUTE
4	BLUE	ON
5	GRAY	X+
6	GRAY/BLACK	X-
7	SILVER	SHIELD

VIEW C-C



SHOWN FROM PIN VIEW  
USES SOCKET 776492-2

PIN NO.	WIRE COLOR	DESC
1	WHITE/BLACK	CH1-
2	GREY/BLACK	CH2-
3	VIOLET/BLACK	CH3-
4	GREEN/BLACK	CH4-
5	WHITE	CH1+
6	GREY	CH2+
7	VIOLET	CH3+
8	GREEN	CH4+

VIEW B-B



SHOWN FROM PIN VIEW

PIN NO.	WIRE COLOR	DESC
1	WHITE/BLACK	RIGHT-
2	WHITE	RIGHT+
3	BROWN	MUTE
4	BLUE	ON
5	GRAY	LEFT+
6	GRAY/BLACK	LEFT-
7	SILVER	SHIELD

VIEW D-D



SHOWN FROM PIN VIEW  
USES PIN 638078-3

PIN NO.	WIRE COLOR	DESC
1	BLACK/WHITE	CH5-
2	YELLOW/BLACK	CH6-
3	ORANGE/BLACK	CH7-
4	RED/BLACK	CH8-
5	BLACK	CH5+
6	YELLOW	CH6+
7	ORANGE	CH7+
8	RED	CH8+