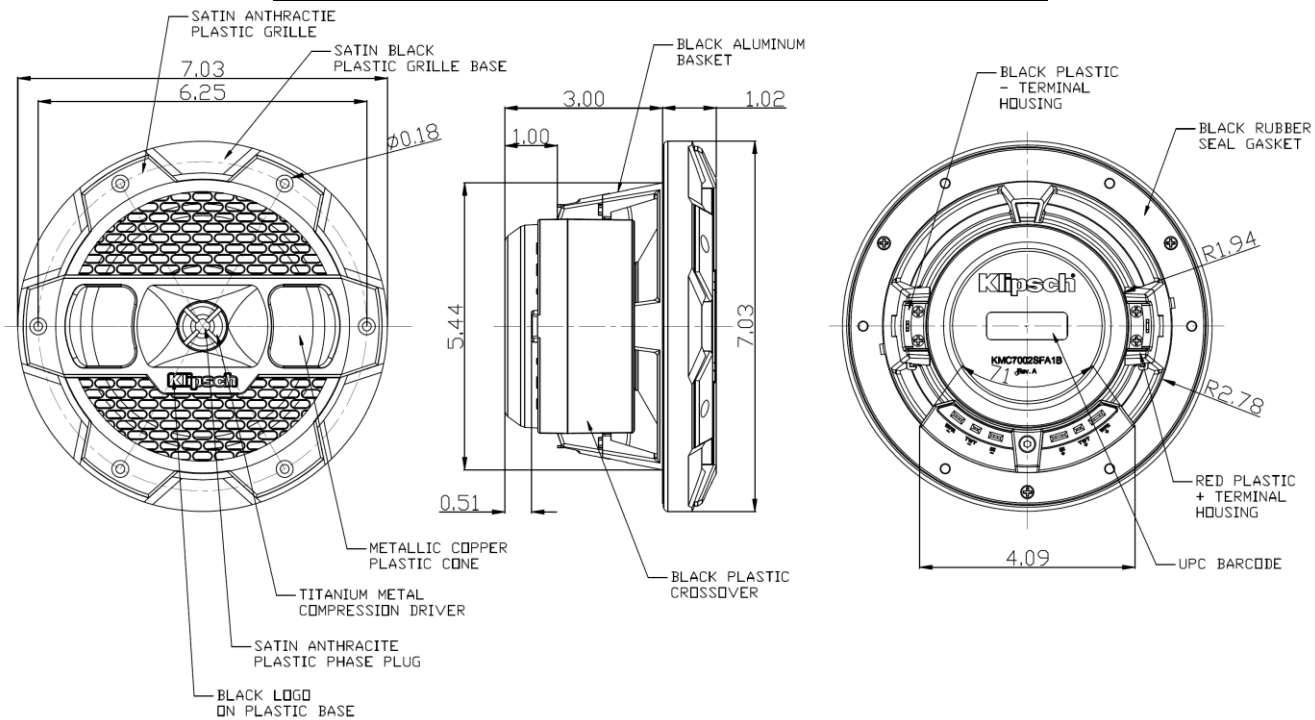


EXHIBIT B
KMC7002SFA1B – KLIPSCH 7” COAXIAL SPEAKER



FEATURES:

- Infinite Baffle Design
- Cast Aluminum Basket
- High Temp Voice coil
- 2 Color Grille (Satin Black with Antracite)
- Copper Cone
- Insulated Tinsel Leads

Specifications:

General Specifications:

Woofers Size	7"	
Woofers Material	Mica + Poly-propolene	
Tweeter Type	Horn Tweeter	
Tweeter Material	Titanium Dome	
Voice Coil Size	1.2"	
Magnet Weight	16.5 oz	
Mounting Depth	3.03"	
Hole Size	5.625"	
Impedance	4 Ω	
Temperature Range	-30°C - 70°C	-22°F - 158°F
Max RH	100%	
Terminal Size	Positive - 0.248"	Negative - 0.189"

Performance Specifications:

Frequency Response	70 Hz - 20 KHz
RMS Power	100 W
Max Power	200 W
SPL @ 1 W/ 1 M	88 dB
Resonant Frequency	70 Hz