

TECHNICAL DATA

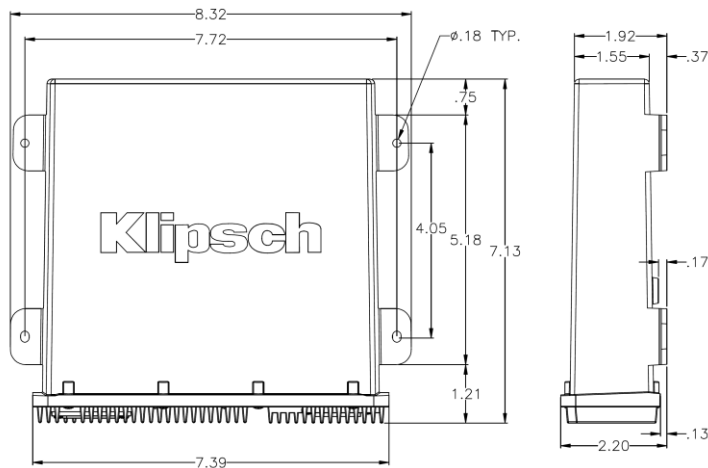
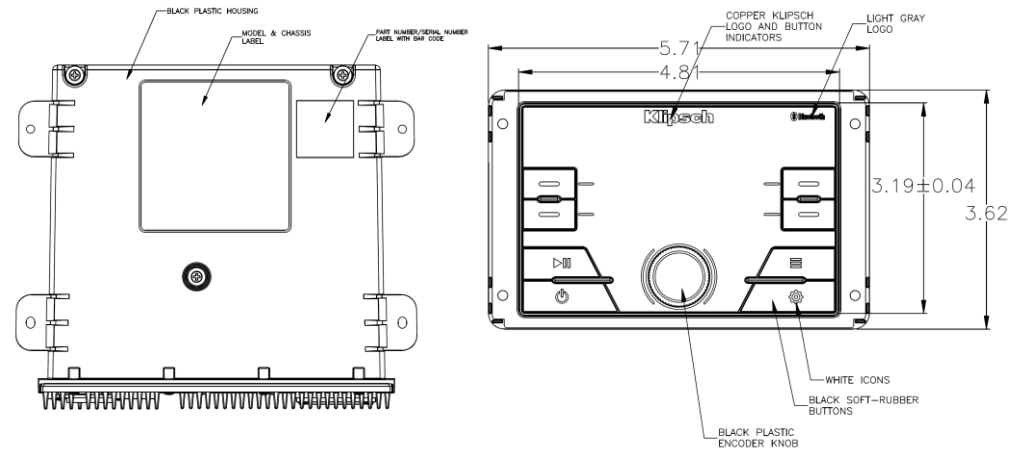


EXHIBIT B KMC1SU

5/5/2017



Features:

- Low-profile flush-mount design with panel for commander
- Rotary encoder for volume control and menu-driven user interface
- Dot Matrix LCD with White color backlight readable in direct sunlight
- 2-Wire power system: 12V DC (Ground and 12V power switched)
- Non-Volatile Memory: For station presets, audio and user settings
- Electronic AM/FM Tuner (US/Euro selectable)
- Station Presets: 18 FM, 12 AM,
- RBDS w/PTY search
- NOAA 7-Channel Weather band
- Bluetooth (A2DP streaming audio ; AVRCP remote control)
- iPod/iPhone Ready (via. USB)
- USB 2.0 for Playback of MP3 and WMA audio files
- EQ Presets (Flat, Rock, Pop, Classical, User settings)
- 6 pin DIN connector 4V Differential stereo audio outputs (compatible with KMC1DSP)
- Front Panel Commander Water Resistance Rating: IPx6
- Tuner / Amp Chassis. Water Resistant Rating: IPx5
- AMP 2 pin Power/ 8 pin Speaker Connector
- JDAB Wired Remote ready (KMC1RC)
- Low Battery warning: Audible /Visual warning @ <10.8V
- Max output power: 50W X4 with MOSFET Power IC
- Conformal Coated PCB
- UV Resistant: ASTM D4329 compliant
- Corrosion Resistant Material/ Finishing ASTM B117 compliant

Specifications

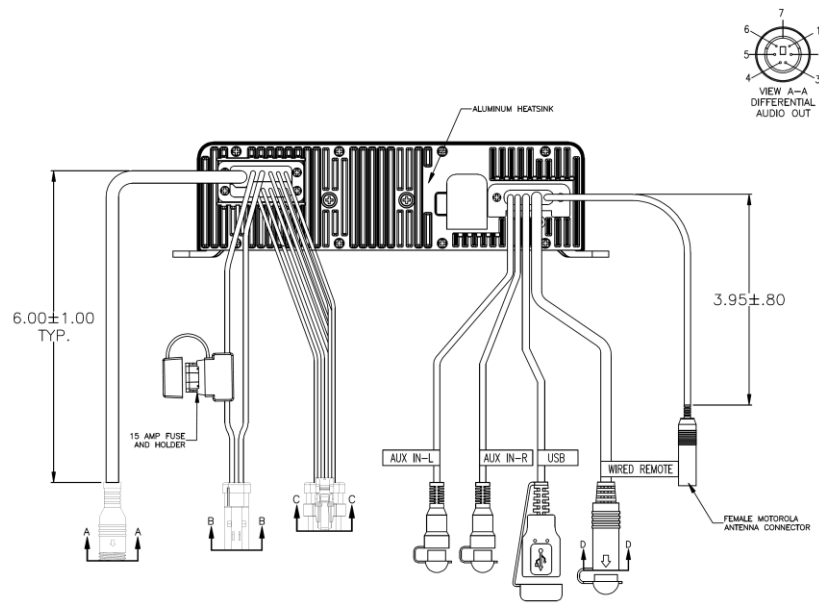
General Specifications

Power System	12 V DC	
Operating Voltage Range	10V to 16V	
Current Draw @ 12V	Quiescent	0 A
	Nominal	1.4 A
	Maximum	15 A
Operating Temperature Range	-14°F to 149°F	-20°C to 65°C
Storage Temperature Range	-22°F to 158°F	-30°C to 70°C
Maximum Relative Humidity	100%	
Overall Package Dimensions	7.4 x 7.4 x 2.2 Tuner/Amp 5.7 x 3.6 x 1 Commander	
Product Weight (unpacked)	2.5 lbs.	

Performance Specifications

FM Sensitivity	14 uV	
AM Sensitivity	30 uV	
Output Power	RMS @ 1% THD	26W per channel
	Maximum	50 x 4W
Total Harmonic Distortion	0.1%	
Applied Test Suite	ASA ES0001	
Regulatory Certification	FCC Part 15B, CE, RoHS	

**EXHIBIT B
IO's and Connections**



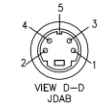
FUNCTION	CONDUCTOR	COLOR	STYLE	ELECTRICAL
1 RIGHT -	24 AWG	WHITE/BLACK STRIPE	STRIPPED PAIR WITH FOL SHIELD	5V DIFFERENTIAL AUDIO
2 RIGHT +	24 AWG	WHITE		
3 LEFT -	24 AWG	BROWN	SINGLE	120C AMP TRIGGER
4 TURN-ON	24 AWG	BLUE	SINGLE	120C AMP TRIGGER
5 LEFT +	24 AWG	GRAY/BLACK STRIPE	STRIPPED PAIR WITH FOL SHIELD	5V DIFFERENTIAL AUDIO
6 LEFT -	24 AWG	GRAY		
7 SHIELD	BRANDED	SILVER	SLUG	EM SHIELD



PIN NO.	WIRE COLOR	DESC
1	YELLOW	12V DC
2	BLACK	GND



PIN NO.	WIRE COLOR	DESC
1	WHITE/BLACK	CH1-
2	GREY/BLACK	CH2-
3	VIOLET/BLACK	CH3-
4	GREEN/BLACK	CH4-
5	WHITE	CH1+
6	GREY	CH2+
7	VIOLET	CH3+
8	GREEN	CH4+



PIN NO.	DESCRIPTION
1	DC +12V (RED)
2	DATA (BLUE)
3	NO CONNECTION
4	POWER GROUND (BLACK)
5	GROUND SHIELD

