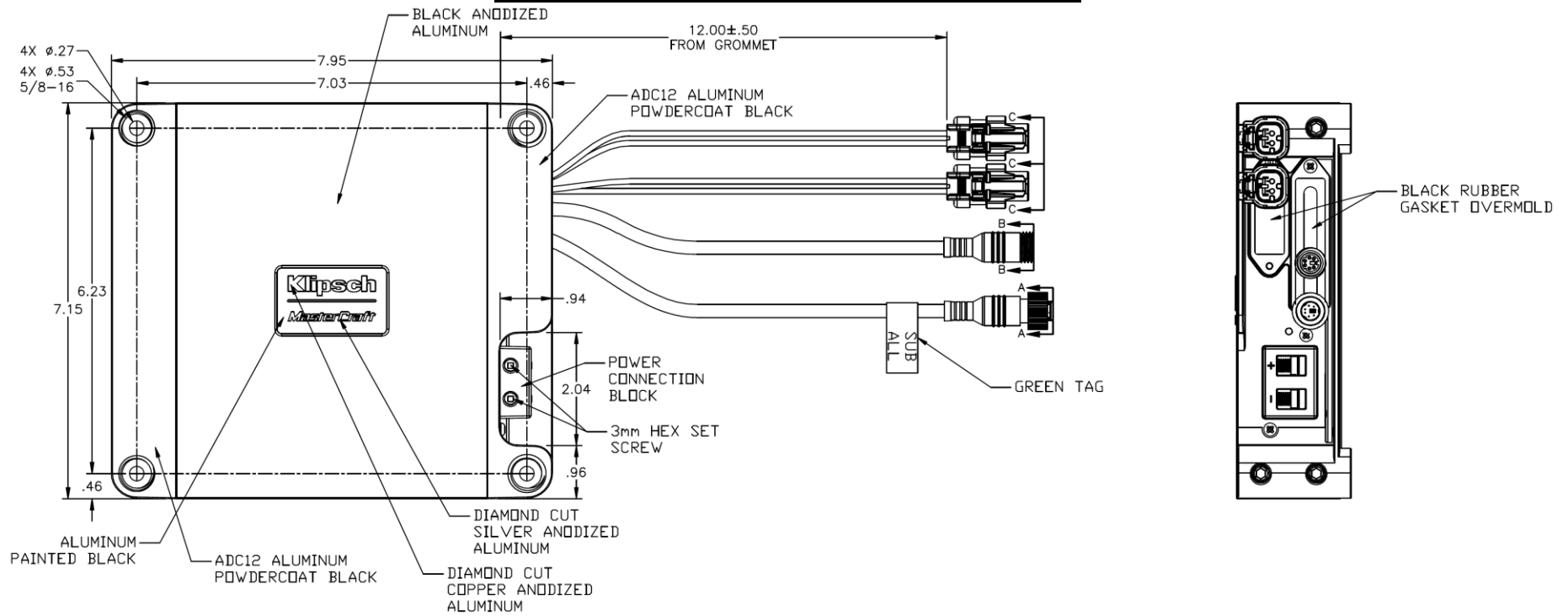


EXHIBIT B
KMC1PA – 1 CHANNEL KLIPSCH AMPLIFIER



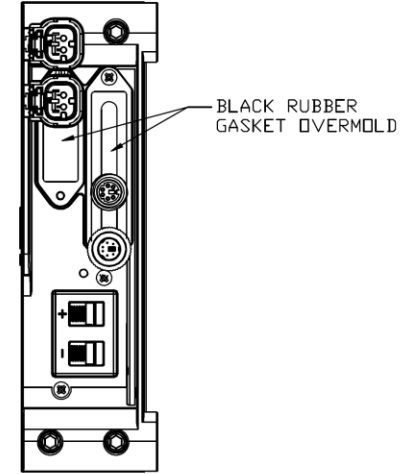
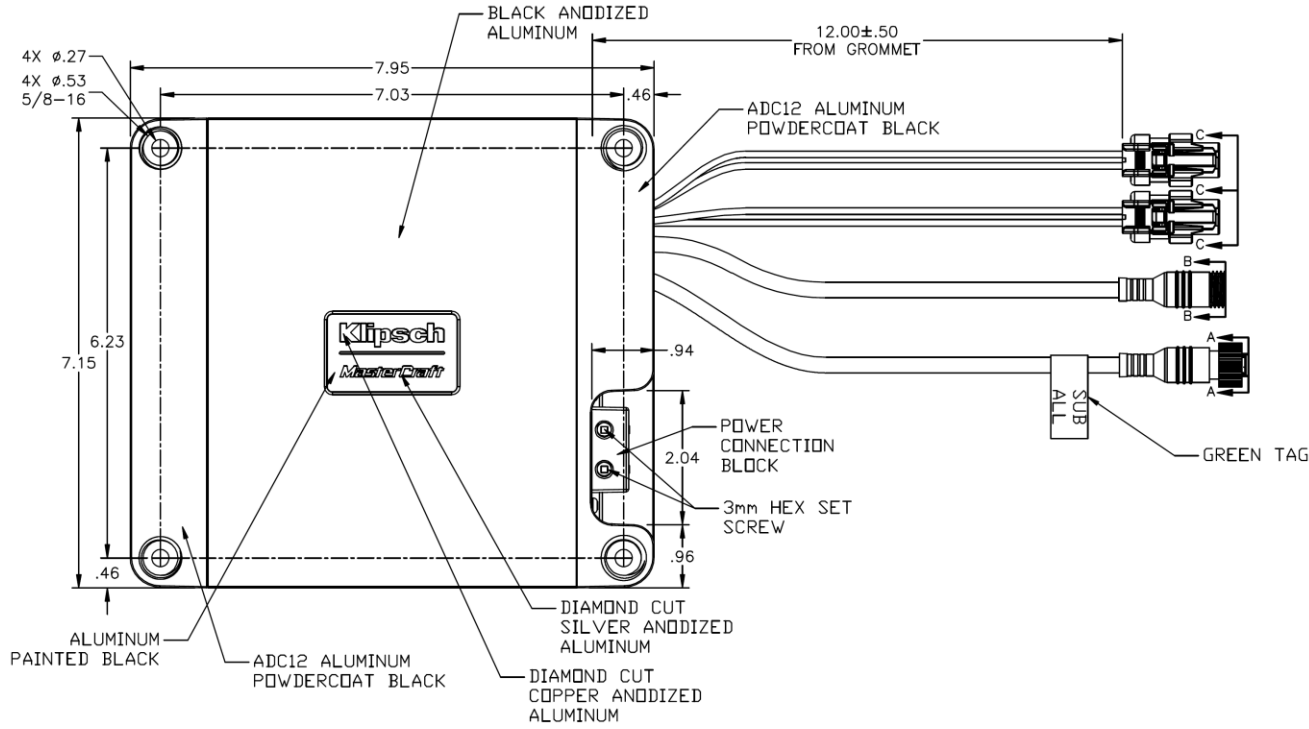
Features:

- Class D Subwoofer/Mono Design
- Compact Size with Stack Mounting option
- Black Powder Coated Chassis
- High Efficiency
- OEM Connectivity
- Differential Audio

Specifications

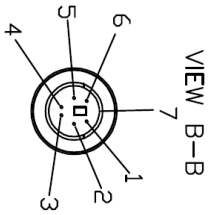
Power System	12V DC	
Operating Voltage Range	10.8V to 15V	
Current Draw @ 12V	Idle	< 3 mA
	Nominal	0.45 A
	Maximum	60 A
Operating Temperature Range	-4°F to 140°F	-20°C to 60°C
Storage Temperature Range	-40°F to 185°F	-40°C to 85°C
Maximum Relative Humidity	100 %	
Product Weight (unpacked)	5 lb	
RMS Power	350W @ 4Ω / 650W @ 2Ω	
Max Power	400W @ 4Ω / 700W @ 2Ω	
S/N	100 dB	
THD + N @ Rated Power	< 1% @ 2Ω	
Frequency Response	6Hz ~ 8KHz	
Fuse Rating	60 A	
Applied Test Suite Environ/ Electrical	ASA ES0001	
Regulatory Certification	CE	

EXHIBIT B



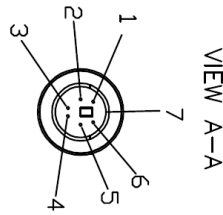
SHOWN FROM PIN VIEW

PIN NO.	WIRE COLOR	DESC
1	WHITE/BLACK	RIGHT-
2	WHITE	RIGHT+
3	BROWN	MUTE
4	BLUE	ON
5	GRAY	LEFT+
6	GRAY/BLACK	LEFT-
7	SILVER	SHIELD



SHOWN FROM PIN VIEW

PIN NO.	WIRE COLOR	DESC
1	WHITE/BLACK	X-
2	WHITE	X+
3	BROWN	MUTE
4	BLUE	ON
5	GRAY	X+
6	GRAY/BLACK	X-
7	SILVER	SHIELD



SHOWN FROM PIN VIEW
USES SOCKET 776492-2

PIN NO.	WIRE COLOR	DESC
1	WHITE	CH1+
2	WHITE/BLACK	CH1-

