

Quick Reference Guide

Date Released: **02-17-2012**

Tracking Number: **JHD910BTKQRG**

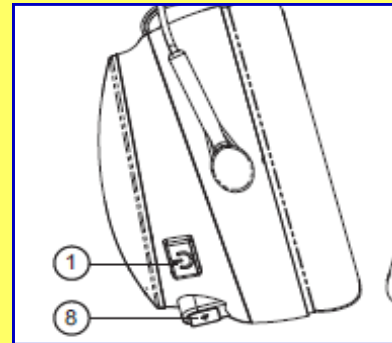
Model / Part Number: JHD910BT, JXHDBT1, JHD910BTK

Re: Bluetooth Pairing Procedure

Pairing a bluetooth device: Make sure your JXHDBT1(or other Bluetooth enabled device) is ON and in pairing mode.

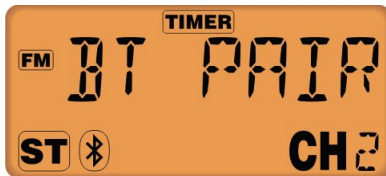
To enter pairing mode for the JXHDBT1:

1. Press the Multi-Function button (1) for 5 seconds until the indicator light flashes red/blue alternately.
2. Access the pairing function on the device you want to register and begin the pairing process to search for Bluetooth ready devices.

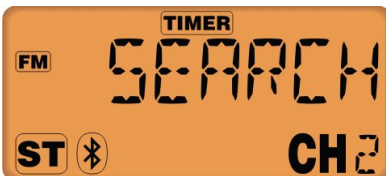


To enter pairing mode for the JHD910BT:

1. Press and hold **AUDIO/MENU** button for more than (3) seconds to enter MENU.
2. Press the **AUDIO/MENU** button until "**BT PAIR**" is displayed.



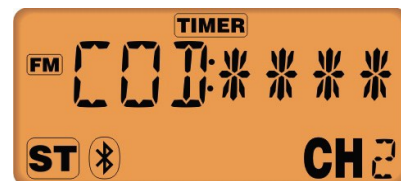
3. Press the **VOL+** button to begin searching for Bluetooth devices.



4. The unit will display a list of devices found. If more than one device is found, an arrow appears. Press **VOL+** or **VOL-** to select desired device from list.



5. Press the **AUDIO/MENU** button to choose the device. "**PAIRING**" will be displayed to indicate pairing process has begun. *****For pairing with JXHDBT1, skip step 6.*****
6. Once a connection is made with the device, "**code:******" appears on the display. Using the station preset buttons 1-4, enter "**0000**" and then press the **AUDIO/MENU** to complete the pairing process.
7. Upon successful pairing, "**SUCCESS**" appears on the display. The JHD910BT is now paired with the BT device.



Selecting a Paired Bluetooth Device

1. To access a list of paired Bluetooth devices, choose "**BT LIST**" from the system menu to view various devices connected to the JHD910BT.
2. Press the **VOL+** (10) or **VOL-** button (13) to navigate the list and choose a device.
3. Press and hold the **AUDIO/MENU** button (12) to select the chosen device. The radio will display "**LINKING**" and then the audio output will switch to the selected Bluetooth device.

Note: While connected to Bluetooth headphones, the JHD910BT speaker output is automatically muted.