



DESIGNED TO MOVE [YOU]<sup>®</sup>

## Product Change Notice

In an effort to keep our audio and video products on the cutting-edge of technology, ASA Electronics will be updating our DVD line as follows:

The JENSEN<sup>®</sup> DV2011 CD/DVD player will be discontinued. ASA will be replacing this unit with the JENSEN<sup>®</sup> JDVD1500 CD/DVD player with Bluetooth. This change will be effective approximately November 2015.

DV2011



JDVD1500



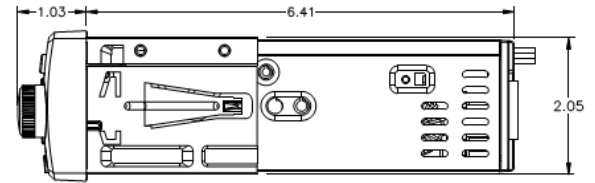
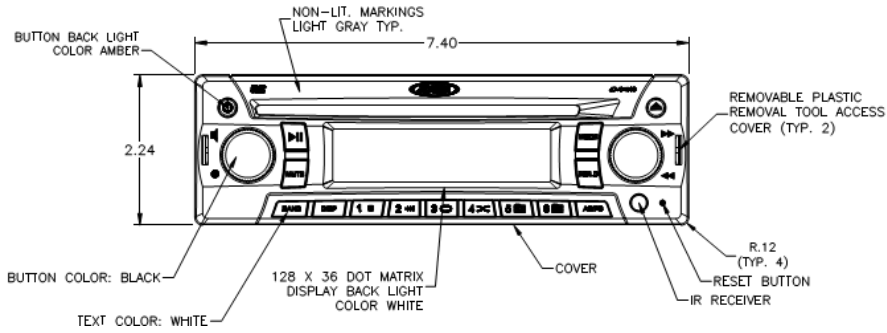
- 12V DC power
- 4x40W maximum audio power output
- 3-wire power (ACC, Batt, Gnd)
- **Detachable faceplate**
- 1-DIN (sleeve-mount) chassis design
- Single DVD / CD player (Plays DVD, CD-A, CD-R/RW Media)
- Encoded rotary volume control
- Stereo pre-amp audio output (rear RCA)
- 2 composite video output (RCA)
- **1 composite video input (RCA)**
- 4-pin microphone input
- Wireless (JENSEN IR codes) credit card size remote control (included)

- 12V DC power
- 4x40W maximum audio power output
- 3-wire power(ACC, BAT+, GND)
- **Fixed faceplate**
- 1-DIN (sleeve-mount) chassis design
- Single DVD / CD player (Plays DVD, CD-A, CD-R/RW Media)
- Encoded rotary volume control
- Stereo pre-amp audio output (rear RCA)
- 2 composite video output (RCA)
- RCA stereo input (**audio only**)
- 4-pin microphone input
- Wireless (JENSEN IR codes) credit card size remote control (included)
- **Bluetooth support (A2DP/AVRCP)**

If you have any questions regarding this product change or want information on specific pricing, please contact your ASA sales representative or ASA Customer Service at 574-264-3135 or 800-688-3135.

Notification Date: 08/24/2015

2602 Marina Drive - Elkhart, Indiana 46514  
[www.ASAelectronics.com](http://www.ASAelectronics.com)



### Features:

- 3-Wire power(ACC, BAT+, GND)
- 1-DIN (sleeve-mount) chassis design
- Segmented LCD Display
- Electronic AM/FM tuner
- Station presets (3x6FM, 2x6AM)
- Single DVD / CD player (Plays DVD, CD-A, CD-R/RW Media)
- MP3 support
- Last Position Memory, Intro Scan, Repeat Track/Title, Random
- AM/FM radio
- Encoded rotary volume control
- Audio Mute / Loudness
- Auto-Store(AS), Preset Scan(PS), Seek Tuning, Manual Tuning.
- Bluetooth support
- RCA stereo input and 4-pin microphone input
- Stereo Pre-amp Audio Output (Front and Rear RCA)
- 2 parallel RCA composite AV outputs
- Preset EQ (Flat, Pop, Rock, Classic)
- Wireless (Jensen IR Codes) Credit Card size remote control (included)

### Specifications

#### General Specifications

<b>Power System</b>		12VDC
<b>Operating Voltage Range</b>		10V to 16V
<b>Current Draw @ 12V</b>	Idle	4 mA
	Nominal	3 A
	Maximum	10 A
<b>Operating Temperature Range</b>		-4°F to 149°F   -20°C to 65°C
<b>Storage Temperature Range</b>		-22°F to 158°F   -30°C to 70°C
<b>Maximum Relative Humidity</b>		95%
<b>Overall Package Dimensions</b>		L x W x H
<b>Product Weight (unpackaged)</b>		3 lbs. 8 oz.

#### Performance Specifications

<b>FM Sensitivity</b>		1.6 uV
<b>AM Sensitivity</b>		31.6 uV
<b>CD Frequency Response</b>		20 Hz to 20 kHz
<b>CD Signal to Noise</b>		77 dB
<b>CD Skip Threshold (Random Freq. Profile)</b>		1.6 g
<b>Compatible CD Formats</b>		DVD, Audio CD, CD-R, R/W
<b>Output Power</b>	RMS	18.6 W
	Maximum	4 x 40W
<b>Total Harmonic Distortion</b>		1%
<b>Applied Test Suite</b>		ES0001

**PRELIMINARY**