



## Blind Spot Detection System User Guide

**WARNING:** To help avoid injuries, never use the Blind Spot Detection System as a replacement for checking the interior and exterior mirrors and looking over your shoulder before changing lanes. The Blind Spot Detection System is not a replacement for careful driving.

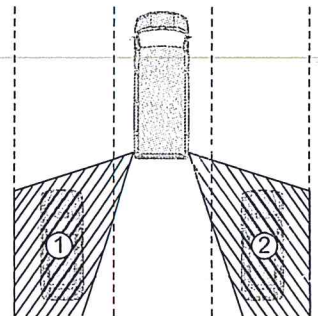
### Overview:

The Blind Spot Detection System is designed to aid in detecting vehicles that may have entered the blind spot zone, which is represented by the vehicles in positions 1 & 2 of the diagram below. The detection area is on both sides of your vehicle, extending rearward from the exterior mirrors to approximately 30 feet beyond the bumper. The system is designed to alert you if vehicles, approaching from the rear, enter the blind spot zone.

### Using your BSD:

The Blind Spot Detection System will turn on when you start the engine and begin driving forward above approximately 18 mph (installer can adjust this threshold).

Event	Turn Signal	System Action
No vehicle in Blind Spot	Off	NA
Vehicle in Blind Spot	Off	LED On – Solid Buzzer Off (if installed)
Vehicle in Blind Spot	On	LED On - Rapid Flash Buzzer On (if installed)



### System limitations:

The Blind Spot Detection System does have limitations. Conditions such as severe weather or debris buildup on the sensor areas may limit vehicle detection.

### Other situations that may limit Blind Spot Detection System include:

- When the car gets into tunnels or other places where satellite signals can not be received, the speed limited function for BSD will not work
- Certain maneuvers of other vehicles as they enter and exit the blind spot zone.
- Vehicles passing through the blind zone at very fast rates.
- Several vehicles forming a convoy and passing through the blind zone.

### False Alerts:

It is possible that the Blind Spot Detection System will trigger an alert even though there is no vehicle in the blind spot zone. If your vehicle is towing a trailer, the sensors could possibly detect the trailer and trigger the Blind Spot Detection System. The Blind Spot Detection System can detect objects such as; construction barrels, guard rails, lamp posts, etc. Occasional false alerts are normal.

## ⚠ WARNING

Please check the surrounding area before changing lanes: This system is just to help you check the vehicle blind zones when changing lanes. Because of the operation limits, the system may not warn you or the warning may be delayed when the car is beside you. Please always check your surroundings for safety.

### 1. The system can't detect the target under below condition:

- The vehicle is behind the adjacent lane, but not approaching.
- The speed of the vehicle is the same as yours, and maintains this driving speed for some time.
- Counter flow.
- The vehicle in the adjacent lane begins to speed up while beside you, not behind you.
- The Adjacent lane is too wide to detect. Our range was set up according to the standard high way.

### 2. The system will not trigger the BSD warning or the warning will be delayed if:

- The vehicle changes the lane( from third lane to Second lane ,or other).
- When it driving on a steep slope.
- Through the top of the hills or mountain.
- In a sharp turn at the intersection.
- When the driving lane and the adjacent lanes are at different heights.
- When heavy rainstrom or heavy snowstrom.

### 3. The warning light of the Blind Spot Detector will sometimes be triggered by motionless objects, such as: guardrails, concrete walls, tunnels, greenbelts, etc.

