

# **PRC200BC Marine Remote Control Installation and Operation Guide**

## Introduction

Thank you for choosing a Polk product. The PRC200BC marine remote control allows convenient operation of compatible Polk marine source units. Operation includes power on/off, volume adjustment, mode selection, and basic functions of available sources such as AM/FM tuner, Weather Band, Bluetooth, USB, iPod/iPhone, and SiriusXM satellite radio.

Up to three Polk marine remote controls (PRC100BC and/or PRC200BC) can be connected to a compatible Polk marine source unit by using a remote control Y-cable (Part #: PRCYC1, sold separately). One Y-cable is required for each additional remote control (e.g.: One Y-cable for two remote controls total, two Y-cables for three remote controls total.)

## Installation

1. Choose a smooth, flat, sturdy mounting location that has been verified safe. Also verify there is enough room to route the connection cable to the source unit.

**Important:** Do not choose a mounting location where remote control can become submerged.

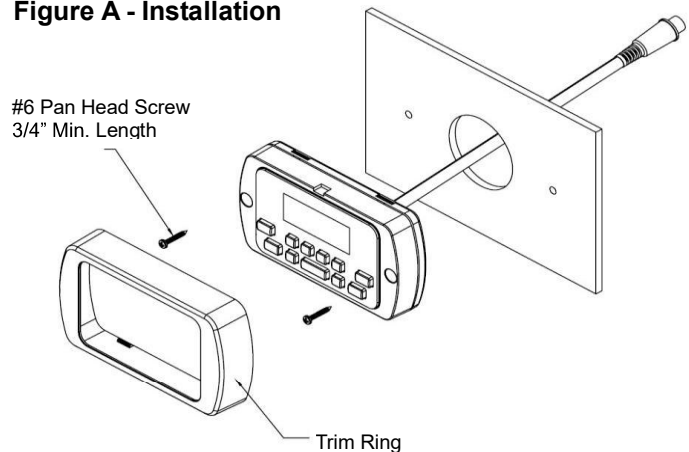
2. Carefully cut a 1.63" diameter hole in the chosen mounting surface. A mounting template is supplied on the last page.
3. Route the supplied 18' extension cable from remote control to source unit making sure the correct sex of plugs are in the correct direction. Connect the extension cable to source unit and remote control.

If a longer cable length is needed or additional remote controls are added, up to two additional 18' extension cables (Part #: PRCEC18, sold separately) can be connected for a total of 54'.

**Important:** Ensure that the route between source unit and remote control does not have any sharp, abrasive edges, excessively tight bends or areas that can pinch the extension cable as this can negatively affect performance and/or cause damage to connected devices.

4. Insert the remote control into the hole from the front of the mounting surface, align face to desired position and secure to the mounting surface using #6 stainless steel pan head screws with minimum length of 3/4" (not included) as detailed in Figure A.





**Figure A - Installation**



[www.asaelectronics.com](http://www.asaelectronics.com)

©2013



Control	Action	Standby	Radio	USB	iPod	AUX	Bluetooth	SiriusXM	Weather Band
 Play / Pause	Press	—	Mute	Play / Pause	Play / Pause	Mute	Play / Pause	Mute	Mute
 Enter	Press	—	Enter	Enter	Enter	Enter	Enter	Enter	Enter
 Menu	Press	—	AUDIO MENU: Press the ▲/▼ button to change the displayed information: Bass > Treble > Balance > Fader. Then press ENTER to make a selection.	AUDIO MENU: Press the ▲/▼ button to change the displayed information: Bass > Treble > Balance > Fader. Then press ENTER to make a selection.	AUDIO MENU: Press the ▲/▼ button to change the displayed information: Bass > Treble > Balance > Fader. Then press ENTER to make a selection.	AUDIO MENU: Press the ▲/▼ button to change the displayed information: Bass > Treble > Balance > Fader. Then press ENTER to make a selection.	AUDIO MENU: Press the ▲/▼ button to change the displayed information: Bass > Treble > Balance > Fader. Then press ENTER to make a selection.	AUDIO MENU: Press the ▲/▼ button to change the displayed information: Bass > Treble > Balance > Fader. Then press ENTER to make a selection.	AUDIO MENU: Press the ▲/▼ button to change the displayed information: Bass > Treble > Balance > Fader. Then press ENTER to make a selection.
	Hold	—	Enters the System Menu.						
 Mode	Press	—	Press the MODE button to display available modes including Radio, iPod, USB, BT, SiriusXM (SXM), Auxiliary (Aux), and Weather Band (WB)						—

## Soft Buttons

Mode	User Interface Page	Key 1	Key 2	Key 3	Key 4
Radio	Default	<b>Tune</b> Enter tune page	<b>Band</b> Toggle between AM/FM (RBDS)	<b>PSET</b> Enter preset page	<b>Return</b> Return to the default page
	Tune	<< <i>Press:</i> tune down <i>Hold:</i> tune seek down	>>  <i>Press:</i> tune up <i>Hold:</i> tune seek up	—	<b>Return</b> Return to the default page
	PSET	<b>AS</b> Auto-scan and store strongest stations in preset list	<b>PS</b> Scan stations stored in current preset list	<b>LIST</b> Display the preset list	<b>Return</b> Return to the default page
	PSET List	<b>SAVE</b> Save currently tuned station to highlighted preset location	—	—	<b>Return</b> Return to the default page
	PTY	—	—	—	<b>Return</b> Return to the default page

Mode	User Interface Page	Key 1	Key 2	Key 3	Key 4
USB / iPod	Default	<< <i>Press: previous track</i> <i>Hold: Rewind</i>	>>  <i>Press: next track</i> <i>Hold: Fast-forward</i>	<b>RRI</b> Enter RRI (Repeat, Random, Intro) page	<b>LIST</b> Browse files/folders in the device
	RRI	<b>RPT</b> Toggle repeat function	<b>RND</b> Toggle random function	<b>INT</b> Toggle intro function (USB only)	<b>Return</b> Return to the default page
	LIST	—	—	<b>BACK</b> Reverse navigate to previous level directory	<b>Return</b> Return to the default page
Bluetooth	Default	<< Previous track	>>  Next track	<>  Connect / disconnect device	<b>INFO</b> Display device name
SiriusXM	Default	<< <i>Press: tune down</i> <i>Hold: fast tune down</i>	>>  <i>Press: tune up</i> <i>Hold: fast tune up</i>	<b>PSET</b> Enter preset page	<b>INFO</b> Display information: NAME (artist) > SONG (title) > INFO (content, <i>if available</i> ) > CAT (Category)
	PSET	<b>PS</b> Scan stations stored in preset list	—	<b>LIST</b> Display the preset list	<b>Return</b> Return to the default page
	PSET List	<b>SAVE</b> Save currently tuned station to highlighted preset location	—	<b>INFO</b> Display information: NAME (artist) > SONG (title) > INFO (content, <i>if available</i> ) > CAT (Category)	<b>Return</b> Return to the default page
Weather Band	Default	<< Tune to previous station	>>  Tune to next station	—	—

Remark: Maximum Operation Temperature: 65°C



www.asaelectronics.com

v. 062713

©2013

# PRC200BC MOUNTING TEMPLATE

