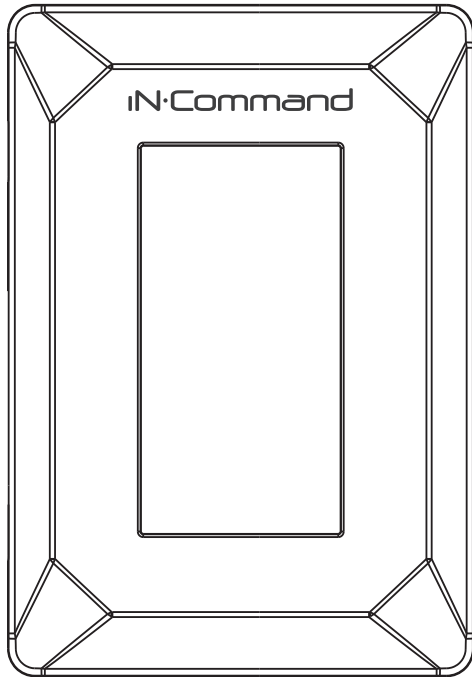




iN·Command®
CONTROL SYSTEMS



NCSTS9
RV Touch Switch
Installation and Operation Manual

• INTRODUCTION

• Thank You!

It's a good idea to read all of the instructions before beginning the installation.

• Tools and Supplies

You will need these tools and supplies to install your NCSTS9:

- 1.0 mm flat head screwdriver
- Philips hand screw driver
- Wire cutters and strippers
- Electrical tape
- Volt meter/test light
- Crimping tool
- Fork Crimp connectors
- 18 gauge wire for power connections
- Two #6 PFH (0.14" x 0.50") screws for mounting

• Disconnecting the Battery

To prevent a short circuit, be sure to turn off 12V power and remove the negative (-) battery cable prior to installation.

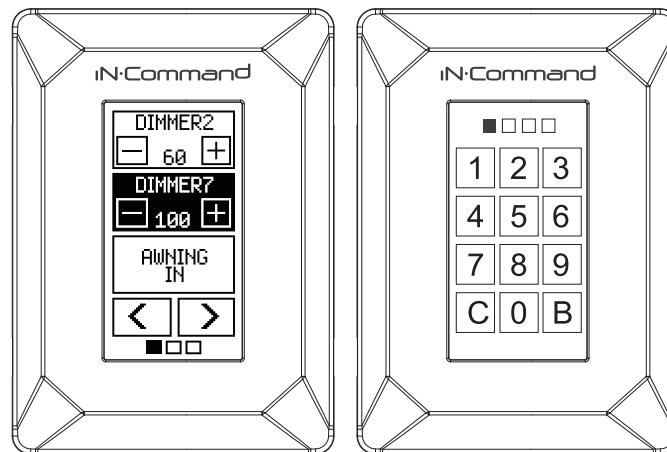
• Selecting the Mounting Location

Select a mounting location, taking care to avoid the following:

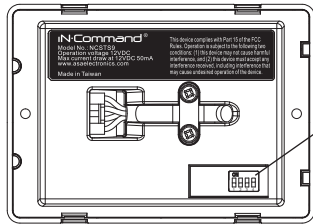
- Places exposed to heat-radiating appliances such as electric heaters
- Adjacent to other equipment that radiates heat
- Poorly-ventilated or dusty places
- Moist or humid locations

• Key Features:

- 3.2" back-lit LCD touchscreen
- Designed for NCSP3/NCSP35 iN-Command systems
- Total 9 assignable buttons for iN-Command functions (Total three pages, 3 buttons per page)
- Momentary button for slide, awning, jack, and hitch
- Safety Passcode Lock Screen for motorized functions
- Passcode Lock Screen OFF behavior to sync with DC setting
- RV-C interface communication
- Single installation supports 8 total NCSTS9 Touch Switches
- Supports Dimmer Module



Up to 8 Touch Switches can be added to a single floor plan. To add multiple Touch Switches, adjust the DIP switch on the back accordingly.



Lifting PET film allows access to DIP switch adjustment

• DIP SWITCHES

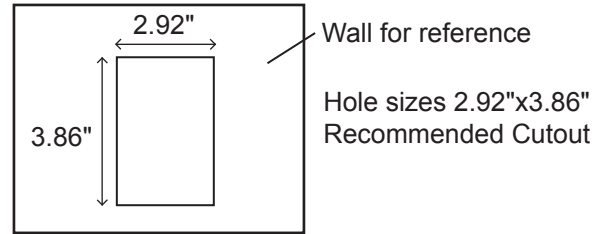


The DIP switches mapping with device name.

1	2	3	4	DEVICE NAME
NA	OFF	OFF	OFF	SWITCH PLATE 1
NA	OFF	OFF	ON	SWITCH PLATE 2
NA	OFF	ON	OFF	SWITCH PLATE 3
NA	OFF	ON	ON	SWITCH PLATE 4
NA	ON	OFF	OFF	SWITCH PLATE 5
NA	ON	OFF	ON	SWITCH PLATE 6
NA	ON	ON	OFF	SWITCH PLATE 7
NA	ON	ON	ON	SWITCH PLATE 8

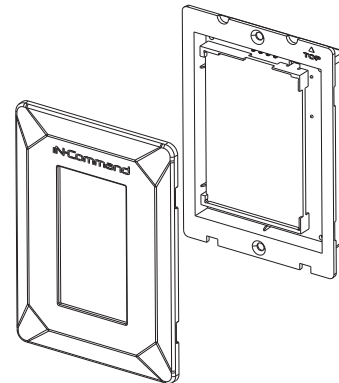
• Mounting the Touch Switch Panel

- Cut/Drill hole, allowing space below for future programming and behind for ventilation
- Route wires through the hole and connect
- Check and ensure correct operation
- Mount the unit using two #6 PFH(0.14"x0.50") screw

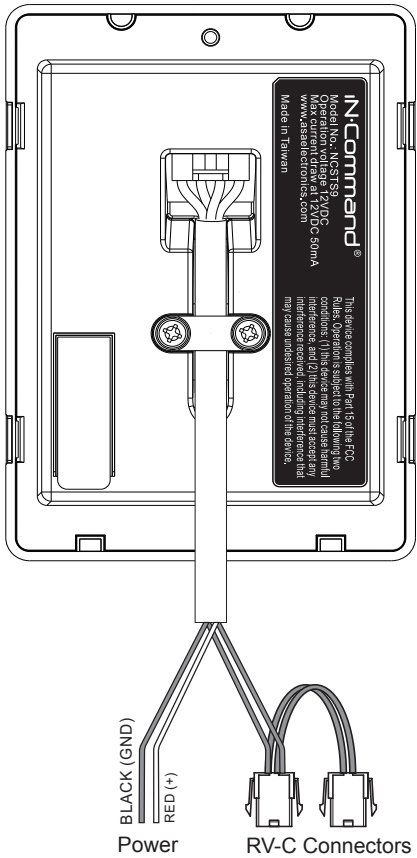


• Installation

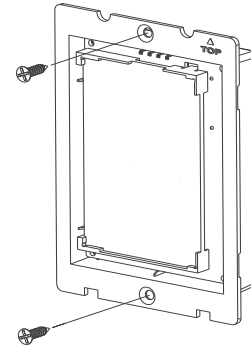
1. Remove the Front cover from the front of the Touch Switch.



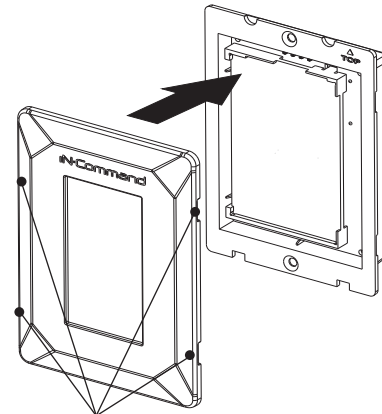
2. Connect Power and RV-C cables to the NCSTS9.



3. Use screws to attach the NCSTS9 to the wall.



4. Reattach the Front cover by placing it over the upper four clips and push it into place until it clicks.



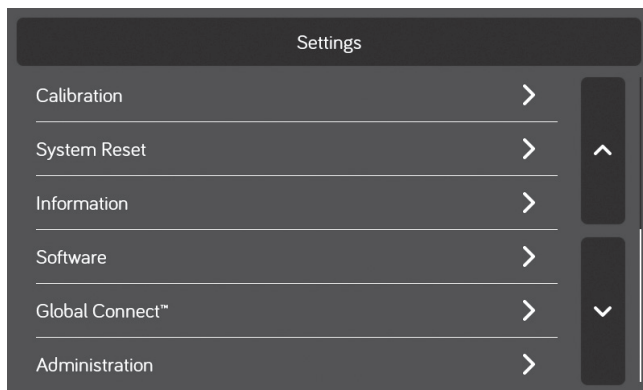
• Loading the Floor Plan

The floor plan for the NCSTS9 gets loaded through the NCSP3/35 Display Commander.

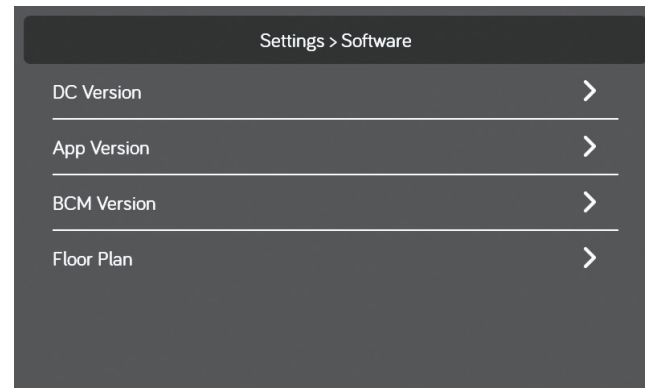
1. Select "Settings".



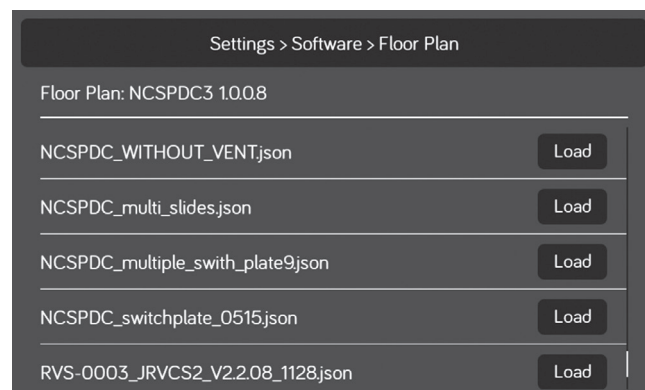
2. Select "Software".



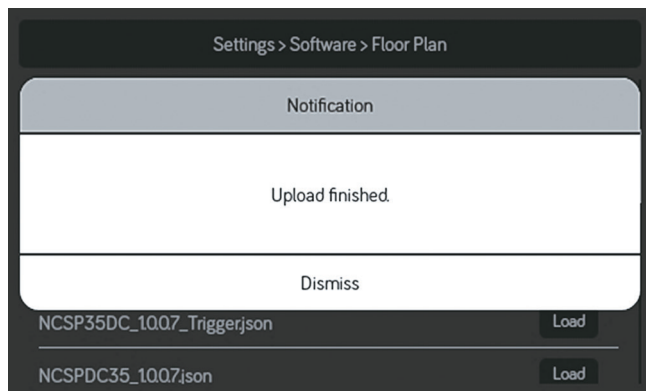
3. In the software page, you can choose to update the Floor Plan.



4. Press load next to the floor plan created for the Display Commander and NCSTS9.



5. Press Dismiss to finish upload.



* If a software update is needed, go to <http://www.asaelectronics.com//in-command>

** If there is a software issue, Call ASA Electronics Technical Support at 1-877-845-8750 or email them at info@asaelectronics.com.

• FCC NOTES

WARNING! Changes or modifications to this unit not expressly approved by the party responsible for compliance could void the user's authority to operate the equipment.

NOTE: This equipment has been tested and found to comply with the limits for a Class B digital device, pursuant to Part 15 of the FCC Rules. These limits are designed to provide reasonable protection against harmful interference in a residential installation.

IMPORTANT NOTE:

To comply with the FCC RF exposure compliance requirements, the antenna(s) used for this transmitter must be installed to provide a separation distance of at least 20 cm from all persons and must not be co-located or operating in conjunction with any other antenna or transmitter. No change to the antenna or the device is permitted. Any change to the antenna or the device could result in the device exceeding the RF exposure requirements and void user's authority to operate the device.

This equipment generates, uses and can radiate radio frequency energy and, if not installed and used in accordance with the instructions, may cause harmful interference to radio communications. However, there is no guarantee that interference will not occur in a particular installation. If this equipment does cause harmful interference to radio or television reception, which can be determined by turning the equipment off and on, the user is encouraged to try to correct the interference by one or more of the following measures:

- Reorient or relocate the receiving antenna.
- Increase the separation between the equipment and receiver.
- Connect the equipment into an outlet on a circuit different from that to which the receiver is connected.
- Consult the dealer or an experienced radio/TV technician for help.



2602 Marina Drive • Elkhart, IN 46514

www.asaelectronics.com

Features and specifications subject to change without notice.

For further technical support call: **1-877-305-0445**