

UMS77WTS Installation Instructions

IMPORTANT: USE THE INCLUDED RED THREADLOCKER ON ALL SCREWS

Content List:

- Speaker Enclosure
- Loctite 271 Red Threadlocker
- 6 x Speaker Mounting Screws

Compatible With (Sold Separately):

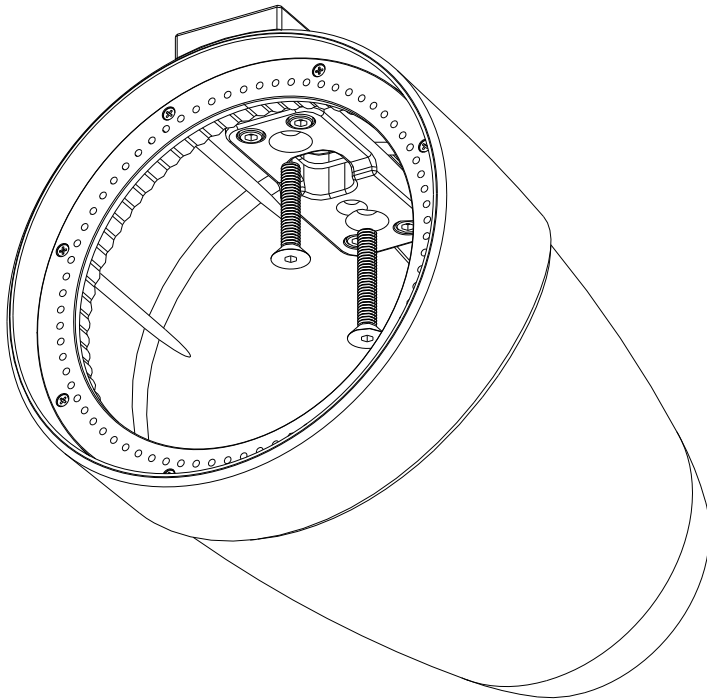
- UMS77B/S/W speaker
- WTSAGM (Circular 4 hole pattern adapter)
- WTSASC (Bar clamp swivel adapter)
- WAKETB1 (Bar clamp fixed adapter)

Flush Mount Method 1, 2" hole spacing, 5/16"-18 screws

Screws required:

- 1 x 5/16"-18 X 2" FSHCS – ASA Part# 34100020
- 1 x 5/16"-18 X 1.75" FSHCS – ASA Part# 34100025

1. Apply included Loctite 271 Red to both screws threads before installing.
2. Install as shown below with shorter 1.75" long screw in countersunk hole closest to opening and insert longer bolt through rear-most countersunk hole. Tighten to 11 ft lbs.
3. Install Speaker Last

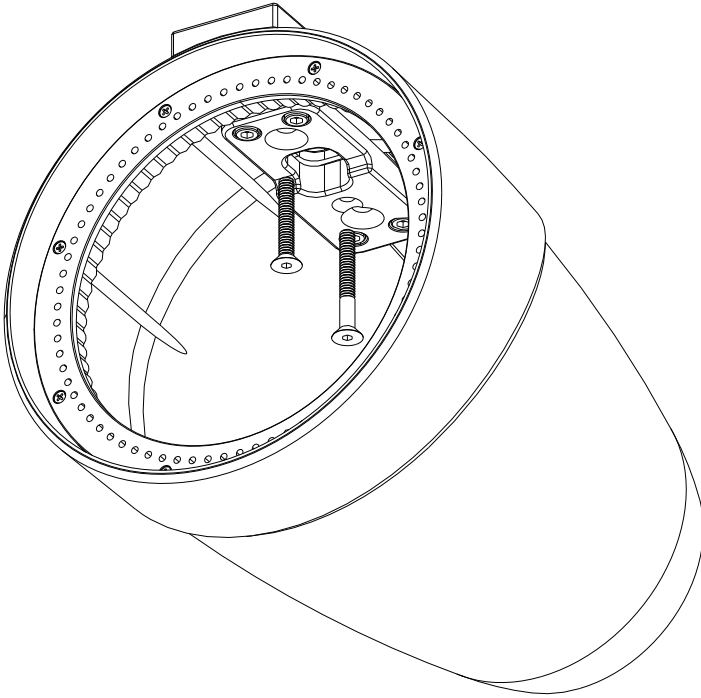


Flush Mount Method 2, 1.5" hole spacing, 1/4"-20 screws

Screws required:

- 1 x 1/4"-20 X 2" FSHCS – ASA Part# 34100022
- 1 x 1/4"-20 X 1.75" FSHCS – ASA Part# 34100021

1. Apply included Loctite 271 Red to both screws threads before installing.
2. Install as shown below with shorter 1.75" long screw in countersunk hole closest to opening and insert longer bolt through the 2nd (smaller) rear countersunk hole. Tighten to 6 ft lbs
3. Install speaker last.



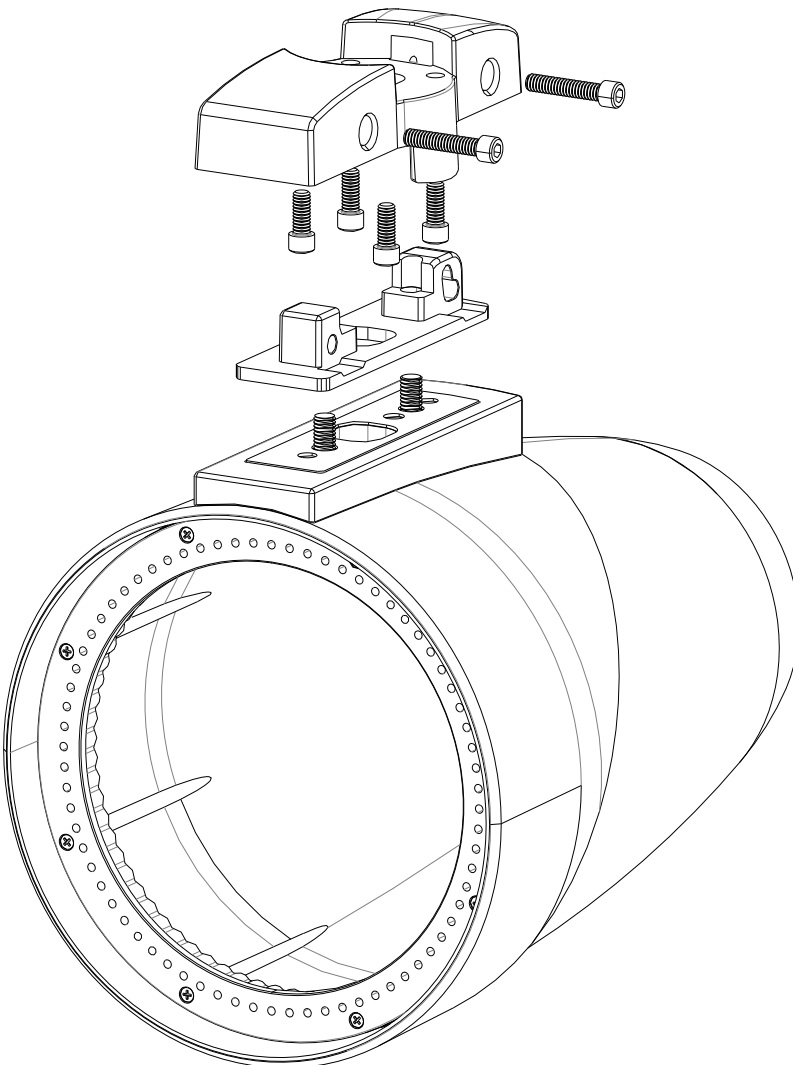
MOUNTING ADAPTERS (Sold Separately)

WTSAGM: Circular 4 Hole Pattern Adapter

Screws required:

- 1 x 5/16"-18 X 2" FSHCS – ASA Part# 3410020
- 1 x 5/16"-18 X 1.75" FSHCS – ASA Part# 3410025
- 2 x 1/4"-20 X 1.250 SHCS – ASA Part# 3410024
- 4 x 1/4"-20 X 0.75 SHCS – ASA Part# 3410023

1. Apply included Loctite 271 Red to 4x short 1/4-20 screws before installing.
2. Install adapter on wake tower mounts first. Tighten to 6 ft lbs.
3. Apply included Loctite 271 Red to 2x 5/16-18 screws before installing.
4. Install hinge bracket on speaker enclosure using 5/16-18 screws. Tighten to 11 ft lbs.
5. Apply included Loctite 271 Red to 1/4-20 x 1.25" screws before installing.
6. Insert installed hinge bracket into installed adapter and hold in place.
7. Fasten speaker enclosure to adapter by installing 1/4-20 x 1.25" screws horizontally through adapter and hinge bracket. Tighten to 6 ft lbs.
8. Speaker may only be installed after step 4.



WTSASC: Bar Clamp Swivel Clamp Adapter

Screws required:

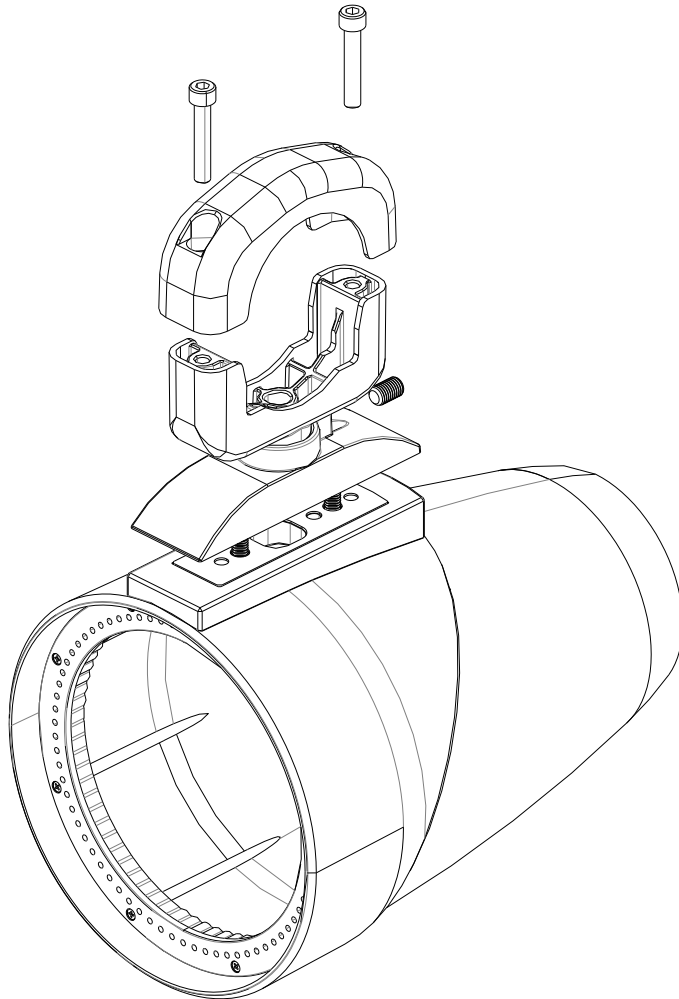
- 1 x 5/16"-18 X 2" FSHCS – ASA Part# 3410020
- 1 x 5/16"-18 X 1.75" FSHCS – ASA Part# 3410025
- 1 x M10 SHSC (Socket Head Set Screw) – included with WTSASC
- 2 x M8 SHCS Clamp screws – included with WTSASC

1. Apply included Loctite 271 Red to 2x 5/16-18 screws before installing.
2. Install swivel clamp adapter base on speaker enclosure using 5/16-18 screws. Tighten to 11 ft lbs.
3. Install M10 set screw and torque until lower clamp jaw (the piece with the shaft) cannot rotate. ~15 ft lbs.



WARNING: Silver Indicator dot on clamp bottom half should NEVER face the front of the enclosure (speaker side). Otherwise, clamp will not be locked into the base and injury may occur.

4. Install any spacers between the clamp and wake tower bar.
5. Insert M8 clamp screws through top half of clamp, place over bar (and spacer), screw clamp screws into lower clamp jaw. Tighten to 13 ft lbs.
6. Speaker may only be installed after step 2



WAKETB1: Bar Clamp Fixed Clamp Adapter

Fasteners required:

- 1 x 1/4"-20 X 2" FSHCS – ASA Part# 3410022
- 1 x 1/4"-20 X 1.75" FSHCS – ASA Part# 3410021
- 2 x 1/4"-20 Hex Nuts
- M8 X 45mm SHCS clamping screws – included with WAKETB1

1. Apply included Loctite 271 Red to both screws threads before installing hex nuts.
2. Install clamp base as shown below with shorter 1.75" long screw in countersunk hole closest to opening and insert longer bolt through the 2nd (smaller) rear countersunk hole.
3. Tighten to hex nuts and ¼-20 screws 6 ft lbs
4. Hold the enclosure and mounted clamp base up to your wake tower bar, apply any plastic spacers and install the top half of the clamp.
5. Torque clamp screws to 13 ft lbs.
6. Speaker may only be installed after step 3.

