

Voyager[®]

Digital Wireless Camera and Receiver System

WVRXCAM1

FEATURING

WiSight[®] technology

The wireless receiver utilizes WiSight technology to digitally lock to the camera creating a signal strong enough to transmit through and around objects with no interference. This is perfect for use on any RV because it does not require a cable connecting the camera to the monitor.

* Requires brand specific adapter cable

*** Easily add a Voyager digital wireless camera to your factory installed monitor!**



PRODUCT FEATURES

- Easy installation
- Camera connects to running lights of vehicle or other 12V power source
- Works with your existing observation monitor with adapter harness

EXPAND your vision™

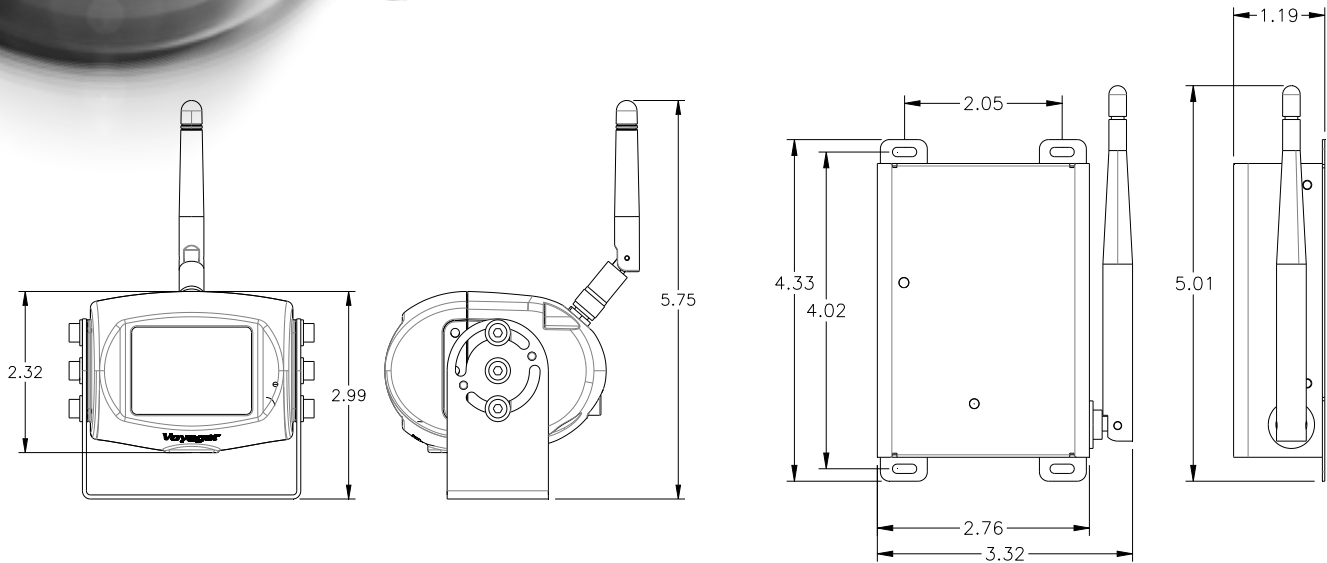
asa
ELECTRONICS™

2602 Marina Drive • Elkhart, IN 46514
www.asaelectronics.com

Voyager[®]

Digital Wireless Camera and Receiver System

WVRXCAM1



Specifications	CAMERA	RECEIVER
Power System	12VDC	12VDC
Operating Voltage Range	10 ~14V	10 ~ 16V
Power Consumption (MAX)	300mA	150mA
Operating Temperature Range	-4°F to 149°F	-4°F to 149°F
Storage Temperature Range	-40°F to 185°F	-40°F to 185°F
Operating Relative Humidity	100%	95%
Waterproof Rating	IPX6	NA
Overall Dimensions	5.8" x 3"x 3.3"	3.3" x 5" x 1.2"
Product Weight (unpackaged)	13 oz	9 oz
Video Output Signal Format	NTSC	NTSC
Video Signal Level	1.0V p-p ; 75Ω	1.0V p-p ; 75Ω
Audio	Microphone	NA
Sensor	1/3" CMOS	NA
Sensitivity	0 Lux	NA
Image Orientation	Mirror (Reversed)	NA
Resolution	420 Lines	NA
View Angles	117°(D) 93°(H) 66°(V)	NA

Package includes: Wireless receiver box; Wireless camera; Scotch fasteners;
Stainless steel hardware; Non-corrosive camera mounting bracket