

Voyager®

Digital Wireless Observation Camera
WVCMST10B

FEATURES

WiSight® technology



PRODUCT FEATURES:

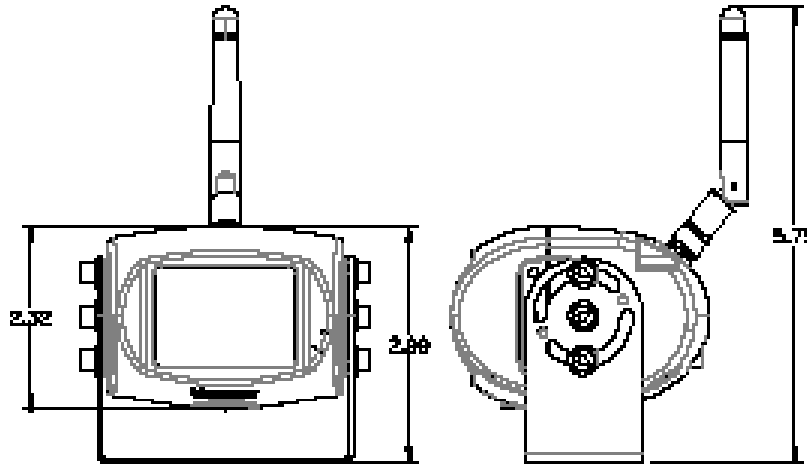
- Super CMOS sensor
- Camera connects to rear lights or other 12V DC power source
- Microphone
- Mirror (reversed)
- Viewing angles (degrees) 117 (D) 93 (H) 66 (V)
- 0 Lux
- Waterproof (IPX6)

EXPAND your vision™

asa
ELECTRONICS™
2602 Marina Drive • Elkhart, IN 46514
www.asaelectronics.com

Voyager®

Digital Wireless Observation Camera **WVCMST0B**



Specifications	CAMERA
Power System	12VDC
Operating Voltage Range	10 ~14V
Power Consumption (MAX)	300mA
Operating Temperature Range	-4°F to 149°F
Storage Temperature Range	-40°F to 185°F
Operating Relative Humidity	100%
Waterproof Rating	IPX6
Overall Dimensions	5.8" x 3" x 3.3"
Product Weight (unpacked)	13 oz
Video Output Signal Format	NTSC
Video Signal Level	1.0V p-p ; 75Ω
Audio	Microphone
Sensor	1/3" CMOS
Sensitivity	0 Lux
Image Orientation	Mirror (Reversed)
Resolution	420 Lines
View Angles	117°(D) 93°(H) 66°(V)
Brightness	NA
Contrast Ratio	NA
Response Time	NA
Display Format	NA