

Voyager[®]

4.3" Observation Monitor

VOM43HD



FEATURES

- Three camera capability
- IPX6 rating
- Bright 4.3" TFT LCD display with anti-glare/scratch protective lens
- Display graphic overlay shows real-time distance from objects
- Built-in speaker
- Manual or automatic source selection
- Turn-signal trigger inputs
- Screen saver mode
- e-Mark certified



VCCYL37



VCMS155B



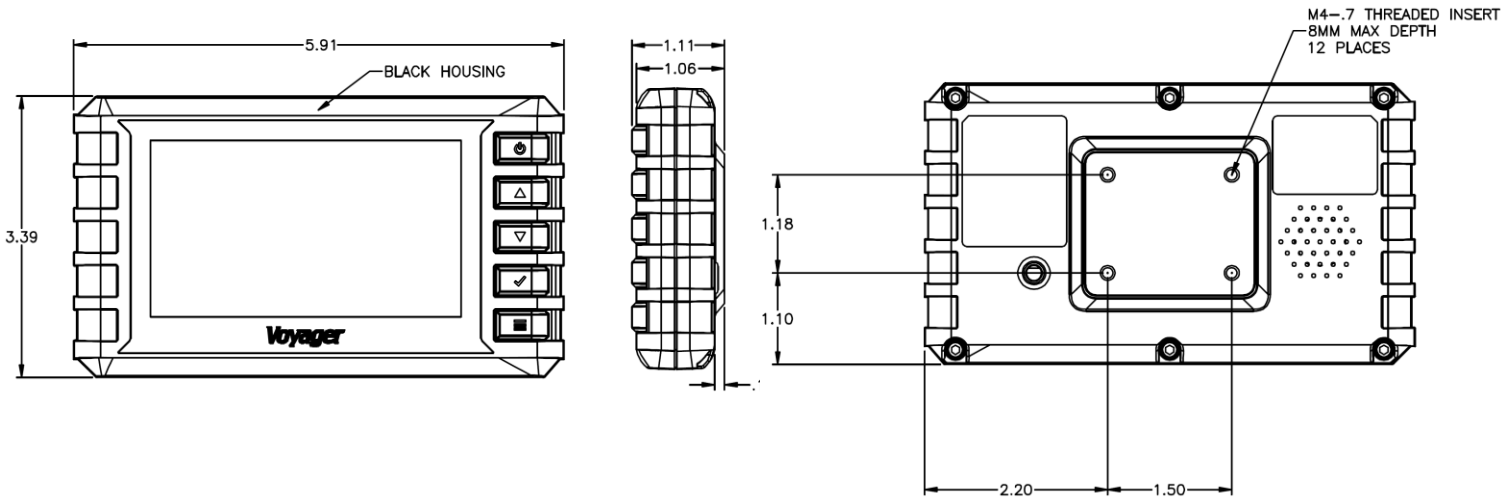
VCMS140i

EXPAND your vision™

asa
ELECTRONICS
2802 Marina Drive • Elkhart, IN 46514
www.asaelectronics.com

Voyager[®]

4.3" Observation System VOM43HD



SPECIFICATIONS:

General Specifications:

Power System	12 V DC	
Operating Voltage Range	9V to 24V	
Current Draw @ 12V with 4 cameras connected	Idle	460mA
	Nominal	762mA
	Maximum	1.1A
Operating Temperature Range	-22°F to 176°F	-30°C to 80°C
Storage Temperature Range	-40°F to 185°F	-40°C to 85°C
Maximum Relative Humidity	100%	
Overall Dimensions	5.91"(W) x 3.39"(H) x 1.09"(D)	
Product Weight (unpackaged)	2.65 lbs	
Water Resistance level	IPx6	

Performance Specifications:

Video / Display System	NTSC/PAL		
Video Input Signal (Composite)	1V P-P @ 75Ω		
Audio Output	1W		
LCD Specifications	Diagonal Size	4.3"	
	Resolution	480 x 272	
	Brightness	500 nit	
	Contrast Ratio	500:1	
	View Angles	Top	70°
		Bottom	70°
		Left	60°
		Right	60°
	Display Format	16:9	
	Response Time	Rise	15ms
Fall		20ms	
Backlight Type	LED		
Backlight Life	20,000 Hours		