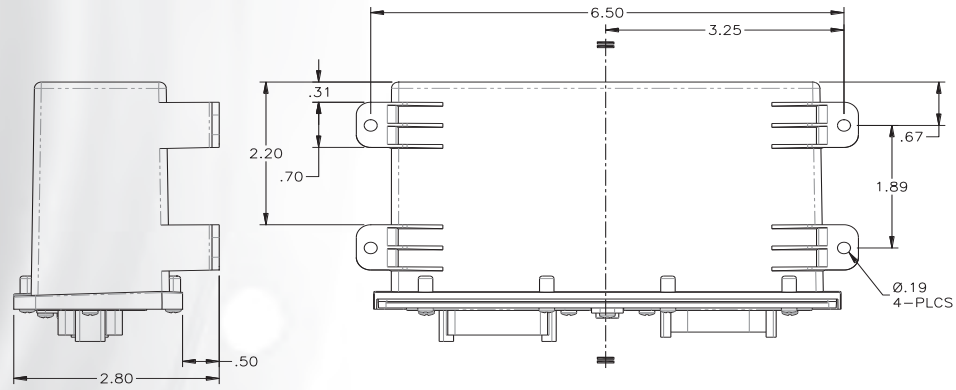
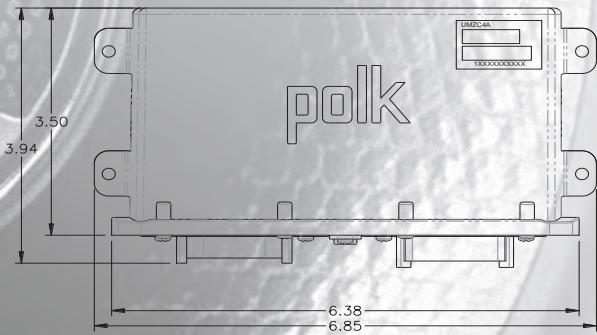


#### FEATURES:

- Operating voltage: 10-16VDC
- Waterproof solid chassis (IPX5)
- Auxiliary line level audio input
- Microphone output (via UM1, zone 4)
- Four-zone control with separate subwoofer control per zone
- Two-wire power system with non-volatile memory
- Surface mount allows for .5" space underneath the bottom
- Wired remote capable (PRC100BC, PRC200BC)
- Conformal coated PCB
- OE-friendly Deutsch waterproof, locking connectors
- UV resistant (ASTM D4329)
- Corrosion resistant materials/finishes (ASTM B117)
- Compatible with Murphy & Medallion display/controls
- Regulatory certifications: FCC/CE/C-tick/RoHS



### FEATURES:

- 4 Zone Audio Expansion Module
- Controls through 3<sup>rd</sup> party 'Glass-Dash' interface via JDAB
- Controls App Ready (UltraMarine)
- Each Zone has stereo audio and Sub-woofer output
- Independent Volume Control for each zone stereo audio and sub-woofer
- Stores 24 Audio Presets
- Supports Alpha-Numeric naming of Zones and Zone Presets.
- 6V low level audio outputs to external amplifiers.
- 2-Wire power system: 12V DC (Ground and +12VDC switched)
- Non-Volatile Memory: For audio and zone settings
- Water Resistant Rating: IPx5
- Waterproof locking Deutsch Connectors
- JDAB (8-pin) for Audio and Data.
- Connects with Polk UM1A (Not compatible with UM1)
- Conformal Coated PCB
- UV Resistant: ASTMD4329 compliant
- Corrosion Resistant Material/ Finishing ASTM B117 compliant

### Specifications

#### General Specifications

|                             |                   |                |
|-----------------------------|-------------------|----------------|
| Power System                | 12VDC             |                |
| Operating Voltage Range     | 10V to 16V        |                |
| Current Draw @ 12V          | Idle              | 0 A            |
|                             | Nominal           | N/A            |
|                             | Maximum           | 270 mA         |
| Operating Temperature Range | -4°F to 149°F     | -20°C to +65°C |
| Storage Temperature Range   | -22°F to 158°F    | -30°C to +70°C |
| Maximum Relative Humidity   | 100%              |                |
| Overall Dimensions          | 6.50 x 3.30 x 4.0 |                |
| Product Weight (unpackaged) | 1.0 lbs           |                |

#### Performance Specifications

|                                    |                               |                   |
|------------------------------------|-------------------------------|-------------------|
| Output Voltage Level               | VRMS @ 1% THD                 | 4.0 V per channel |
|                                    | Maximum                       | 5.4 V per channel |
| Total Harmonic Distortion @ 1 Watt | 0.1 %                         |                   |
| Applied Test Suite                 | ASA ES0001                    |                   |
| Regulatory Certification           | FCC Part 15B; CE; CTick; RoHS |                   |