

**polk**  
ULTRAMARINE  
CERTIFIED

# UMTM200HB

2" HIGH PERFORMANCE TWIDDLER



**FEATURES:**

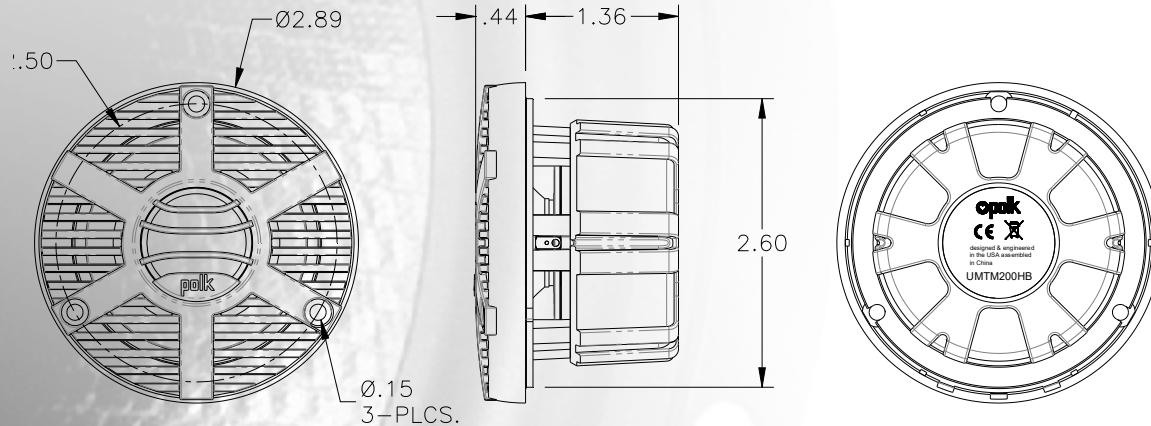
- 300 watts
- Water and corrosion resistant sealed design
- Polypropylene woofer
- Santoprene suspension
- Rubber mounting gasket
- Inline passive crossover included
- 3.4 oz. Magnet
- 4 Ohms
- 80Db
- Frequency response 270 Hz – 20Khz
- UV Resistant (ASTM-D4329 compliant)
- Mounting depth 1.4"

**asa**  
ELECTRONICS™

2602 Marina Drive • Elkhart, IN 46514  
[www.asaelectronics.com](http://www.asaelectronics.com)

# UM200HB

## 2" HIGH PERFORMANCE TWIDDLER



### **Specifications:**

#### **General Specifications:**

Woofer Size	2"	
Woofer Material	Poly-propylene	
Tweeter Type	NA	
Tweeter Material	NA	
Voice Coil Size	0.76" KSV	
Magnet Weight	3.4 oz	
Mounting Depth	1.4"	
Hole Size	2.25"	
Impedance	4 Ω	
Temperature Range	-30°C - 70°C	-22°F - 158°F
Max RH	100%	
Terminal Size	Positive - 0.250"	Negative - 0.205"

#### **Performance Specifications:**

Frequency Response	270 Hz – 20 KHz
RMS Power	100W
Max Power	200W
SPL @ 1 W/ 1 M	80 dB
Resonant Frequency	270 Hz