

**polk**  
ULTRAMARINE  
CERTIFIED

# UMS88

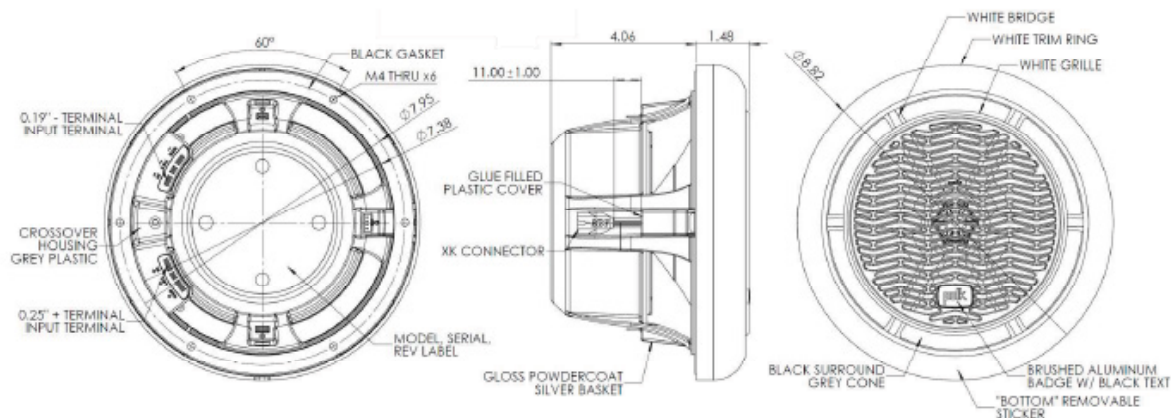
8.8" Coaxial Speaker



- Free Air design
- 250 watts maximum power handling
- Cast aluminum basket
- High temperature voice coil
- Snap on grille installation option
- Silver Cone
- Insulated tinsel leads

UMS88B Black  
UMS88W White  
UMS88S Smoke

**asa**  
ELECTRONICS  
2602 Marina Drive • Elkhart, IN 46514  
[www.asaelectronics.com](http://www.asaelectronics.com)



**Specifications:**

**General Specifications:**

Speaker Size	8.8"	
Woofers Material	Mica + Poly-propylene	
Tweeter Type	1" Dome	
Tweeter Material	Titanium Dome	
Voice Coil Size	1.6"	
Magnet Weight	40.3 oz	
Mounting Depth	4.06"	
Hole Size	7.4"	
Impedance	4 Ω	
Temperature Range	-30°C - 70°C	-22°F - 158°F
Max RH	100%	
Terminal Size	Positive - 0.248"	Negative - 0.189"

**Performance Specifications:**

Frequency Response	50 Hz - 20 KHz
RMS Power	125 W
Max Power	250 W
SPL @ 1 W/ 1 M	89.4 dB
Resonant Frequency	46 Hz