

polk
ULTRAMARINE
CERTIFIED

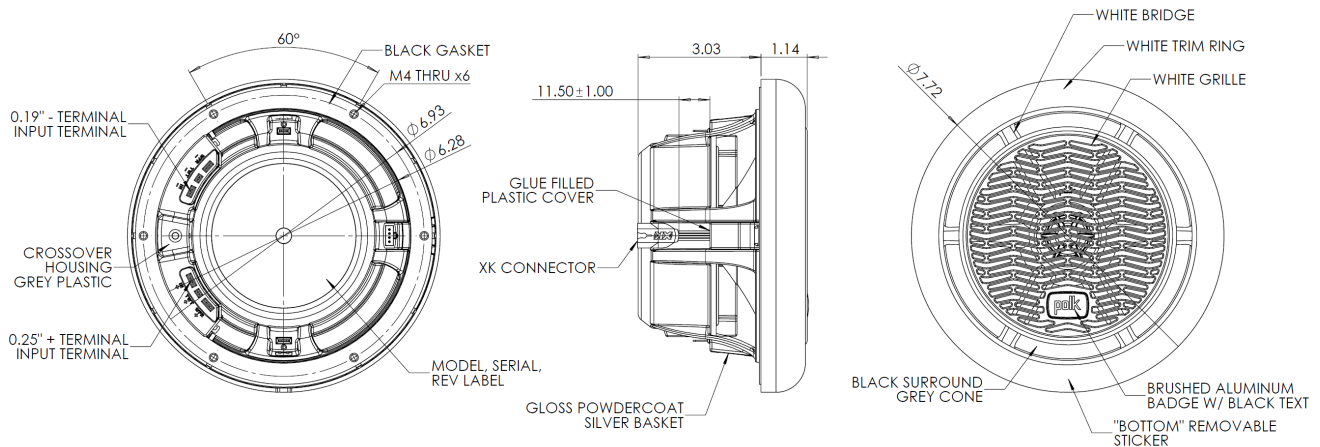
UMS77W

7.7" White Coaxial Speaker



- Free Air design
- 200 watts maximum power handling
- Cast aluminum basket
- High temperature voice coil
- Snap on grille installation option
- Silver Cone
- Insulated tinsel leads
- Also available in Black and Smoke

asa
ELECTRONICS
2602 Marina Drive • Elkhart, IN 46514
www.asaelectronics.com



Specifications:

General Specifications:

| | | |
|-------------------|-----------------------|-------------------|
| Speaker Size | 7.7" | |
| Woofer Material | Mica + Poly-propolene | |
| Tweeter Type | 1" Dome | |
| Tweeter Material | Titanium Dome | |
| Voice Coil Size | 1.2" | |
| Magnet Weight | 25.6 oz | |
| Mounting Depth | 3.03" | |
| Hole Size | 6.28" | |
| Impedance | 4 Ω | |
| Temperature Range | -30°C - 70°C | -22°F - 158°F |
| Max RH | 100% | |
| Terminal Size | Positive - 0.248" | Negative - 0.189" |

Performance Specifications:

| | | |
|--------------------|----------------|--|
| Frequency Response | 70 Hz - 20 KHz | |
| RMS Power | 100 W | |
| Max Power | 200 W | |
| SPL @ 1 W/ 1 M | 90.2 dB | |
| Resonant Frequency | 71 Hz | |