



FEATURES:

- 200 watts
- Engineered to project sound over 80 feet
- Compression horn driver
- 6" x 9" mid-bass woofer
- Matte silver polypropylene cone
- Santoprene suspension/surround
- Internal crossover network
- Aluminum tweeter
- Magnet weight: 16 oz. (tweeter); 30 oz. (woofer)
- Impedance: 4 ohm
- Frequency response: 70Hz – 22KHz
- Sensitivity @1W/1Meter: 93dB
- Blue and white LED accents with underside dome light (see Figure 1)
- Removable logo plate to allow custom plate with LED accents
- Reinforced composite enclosure
- UV Resistant (ASTM D4329)
- Dimensions: 11.23"W x 12.75"D

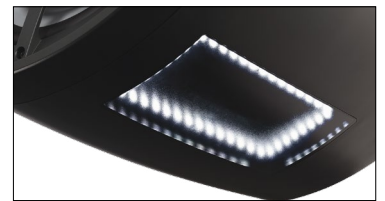


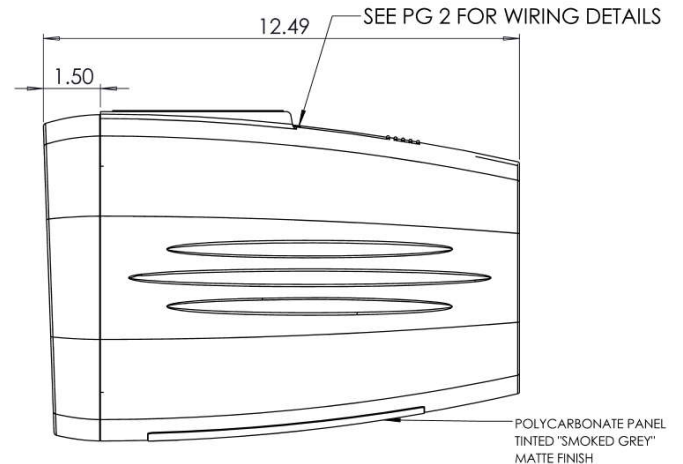
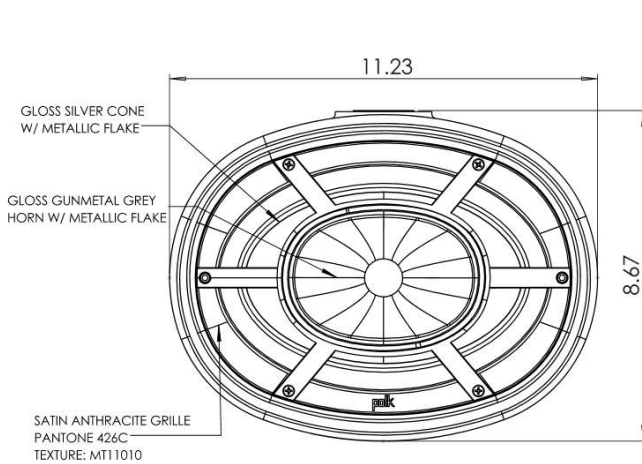
Figure 1



WAKECVR1 neoprene cover (optional)



WAKETB1 mounting brackets (optional)



Specifications:

General Specifications:

Woofer Size	6 x 9"	
Woofer Material	Poly-propylene	
Voice Coil Size	2" Glass Fiber/TIL	
Tweeter Type	Compression Driver	
Tweeter Material	Aluminum	
Voice Coil Size	1.4" KSV	
Magnet Weight	W 30 oz.	T 16 oz.
Mounting Depth	NA	
Impedance	4 Ω	
Temperature Range	-40°C - 85°C	-40°F - 185°F
Max RH	95%	
Terminal Size	Blunt Cut Pigtail	

Performance Specifications:

Frequency Response	70Hz – 22 KHz
RMS Power	100 W
Max Power	200 W
SPL @ 1 W/ 1 M	93 dB
Resonant Frequency	100 Hz