

UMC1RTL

App Ready Marine Commander & Module



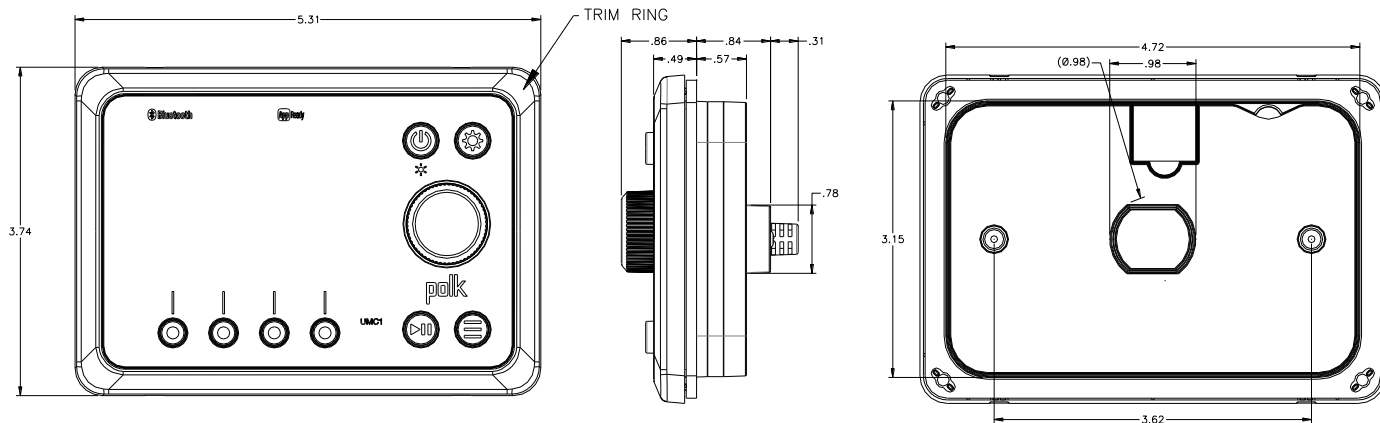
App Ready®



- 2.8" color TFT display viewable in direct sunlight
- 200 watts maximum power handling (50W x 4)
- Two-piece modular design (Commander and hideaway module)
- Glass lens to protect display from cleaning products Waterproof commander and module (IPX5)
- App Ready - All main functions can be controlled by any Bluetooth-enabled device with the ASA Audio app
- Bluetooth streaming audio (A2Dp) and controls (AVRCP)
- EQ presets
- USB input for connection of digital media devices
- Seven-channel NOAA weatherband
- 18FM/12AM station presets Auxiliary line-level audio input (RCA)

- Four-channel line-level audio output (RCA, front + rear)
- Two-wire power system with non-volatile memory
- Remote control ready (PRC100BC, PRC200BC)
- Low battery warning
- Low-profile flush-mount design and detachable trim ring for front mounting
- Rotary encoder for volume control and menu-driven user interface
- Conformal coated PCB
- UV resistant (ASTM D4329)
- Corrosion resistant (ASTM D1141)
- Dimensions: Module: 7.4" W x 7.4" L x 2.2" D
Controller: 5.4" W x 3.75" H x 1.7" D

Commander



Power System	12 VDC	
Operating Voltage Range	10V to 16V	
Operating Temperature Range	-14°F to 149°F	-20°C to 65°C
Storage Temperature Range	-22°F to 158°F	-30°C to 70°C
Maximum Relative Humidity	100%	
Overall Package Dimensions	5.4" x 3.75" x 1.7" Commander	
Product Weight (unpacked)	0.5lbs.	
Display Specifications		
Resolution	(2.8" 4:3) 240 x 320	
View Angles	Top	80°
	Bottom	80°
	Left	80°
	Right	80°
Brightness	800 cd/m²	

Module

