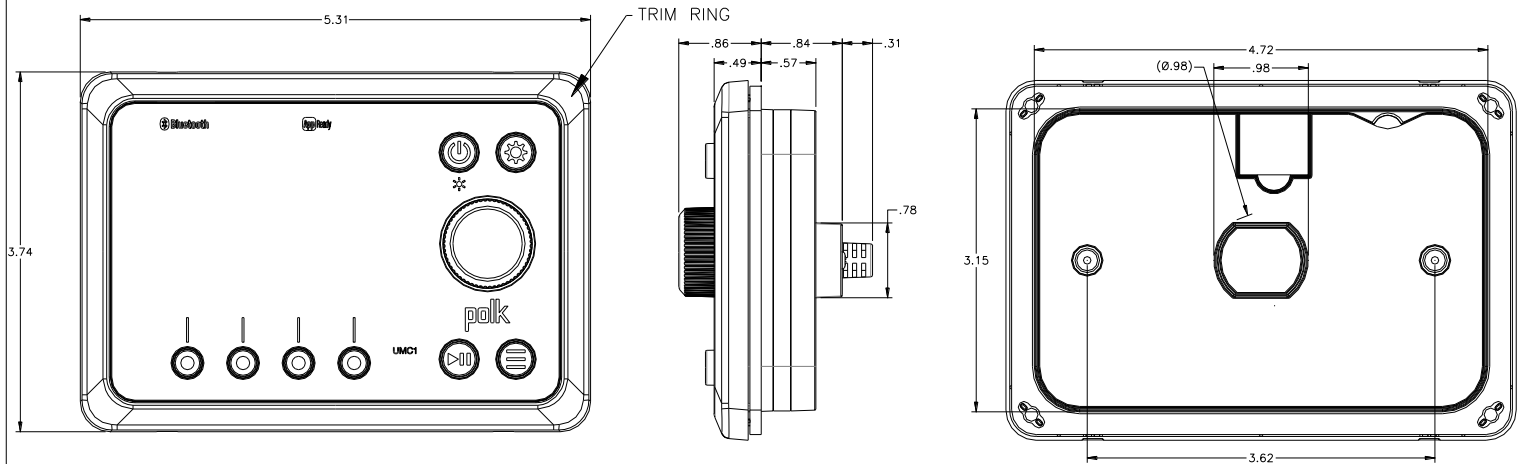




App Ready.



- 2.8" color TFT display viewable in direct sunlight
- Glass lens to protect display from cleaning products
- App Ready - All main functions can be controlled by any Bluetooth-enabled device with ASA Audio app
- Low-profile flush-mount design and detachable trim ring for front mounting
- Compatible with PA4ATAB and UM2TAB source unit modules
- Rotary encoder for volume control and menu-driven user interface
- Conformal coated PCB
- IPX5 waterproof design
- UV resistant (ASTM D4329)
- Corrosion resistant (ASTM D1141)
- Dimensions: 5.4" W x 3.75" H x 1.7" D



Specifications:

General Specifications

Power System	12 VDC	
Operating Voltage Range	10V to 16V	
Operating Temperature Range	-14°F to 149°F	-20°C to 65°C
Storage Temperature Range	-22°F to 158°F	-30°C to 70°C
Maximum Relative Humidity	100%	
Overall Package Dimensions	5.4" x 3.75" x 1.7" Commander	
Product Weight (unpackaged)	0.5lbs.	

Display Specifications

Resolution	(2.8" 4:3) 240 x 320	
View Angles	Top	80°
	Bottom	80°
	Left	80°
	Right	80°
Brightness	800 cd/m²	