

# polk

ULTRAMARINE  
CERTIFIED

# UM650SRTL

6.5" Coaxial Speakers

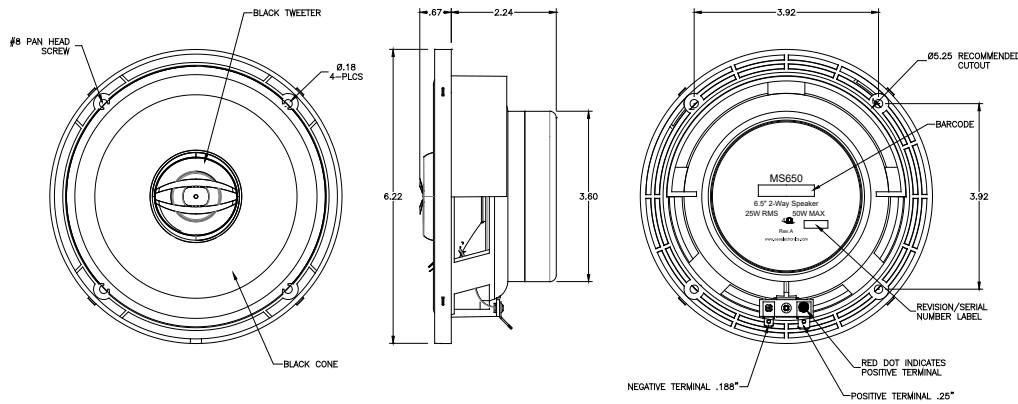


## Features:

- 175 watts
- Infinite baffle
- Speaker impedance: 4 ohms
- Mica filled PP cone
- Protected magnet and cone
- Santoprene surround
- Stainless steel terminals and mounting hardware
- Mounting gasket
- Meets ASTM B117 salt/fog and D4329 UV testing specifications
- Certifications: CEA, CE RoHs
- 9.125" mounting hole
- 4.7" mounting depth
- Kit includes two 6.5" speakers, two silver sport grilles, two black sport grilles and two light kits.

Kit includes: 2 speakers, 2 Silver Sport Grilles and 2 Black Sport Grilles and 2 LED light rings

**asa**  
ELECTRONICS™  
2602 Marina Drive • Elkhart, IN 46514  
[www.asaelectronics.com](http://www.asaelectronics.com)



### **Specifications:**

#### **General Specifications:**

Woofer Size	6"	
Woofer Material	Poly-propylene	
Tweeter Type	Dome	
Tweeter Material	Mylar	
Voice Coil Size	1" ASV	
Magnet Weight	8.8 oz	
Mounting Depth	2.4"	
Hole Size	5.0 "	
Impedance	4 Ω	
Temperature Range	-30°C - 70°C	-22°F - 158°F
Max RH	100%	
Terminal Size	Positive - 0.250"	Negative - 0.205"

#### **Performance Specifications:**

Frequency Response	50 Hz – 20 KHz	
RMS Power	25W	
Max Power	50W	
SPL @ 1 W/ 1 M	86 dB	
Resonant Frequency	57 Hz	