

polk[®]
ULTRAMARINE
C E R T I F I E D

UM650HRTL

6.5" Coaxial Speakers

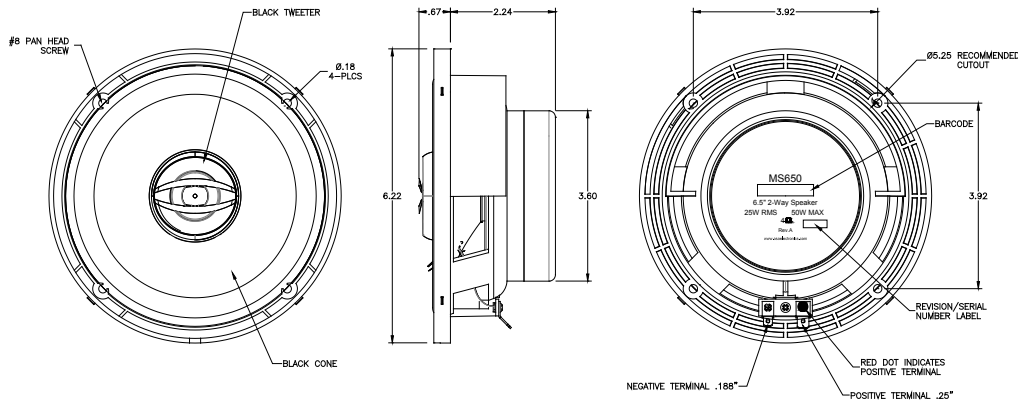


Features:

- 175 watts
- Infinite baffle
- Speaker impedance: 4 ohms
- Mica filled PP cone
- Protected magnet and cone
- Santoprene surround
- Stainless steel terminals and mounting hardware
- Mounting gasket
- Meets ASTM B117 salt/fog and D4329 UV testing specifications
- Certifications: CEA, CE RoHs
- 9.125" mounting hole
- 4.7" mounting depth
- Kit includes two 6.5" speakers, two white hybrid grilles, and two lit kits.

Kit includes: 2 speakers, White Hybrid Grilles 2 LED light rings

ASAelectronics.
THE MOBILE ELECTRONICS COMPANY SINCE 1973
2602 Marina Drive • Elkhart, IN 46514
www.asaelectronics.com



Specifications:

General Specifications:

Woofer Size	6"	
Woofer Material	Poly-propylene	
Tweeter Type	Dome	
Tweeter Material	Mylar	
Voice Coil Size	1" ASV	
Magnet Weight	8.8 oz	
Mounting Depth	2.4"	
Hole Size	5.0"	
Impedance	4 Ω	
Temperature Range	-30°C - 70°C	-22°F - 158°F
Max RH	100%	
Terminal Size	Positive - 0.250"	Negative - 0.205"

Performance Specifications:

Frequency Response	50 Hz - 20 KHz
RMS Power	25W
Max Power	50W
SPL @ 1 W/ 1 M	86 dB
Resonant Frequency	57 Hz