

polk

ULTRAMARINE
CERTIFIED

UM1A

MARINE SOURCE UNIT WITH APP CONTROL



PRC100BC REMOTE



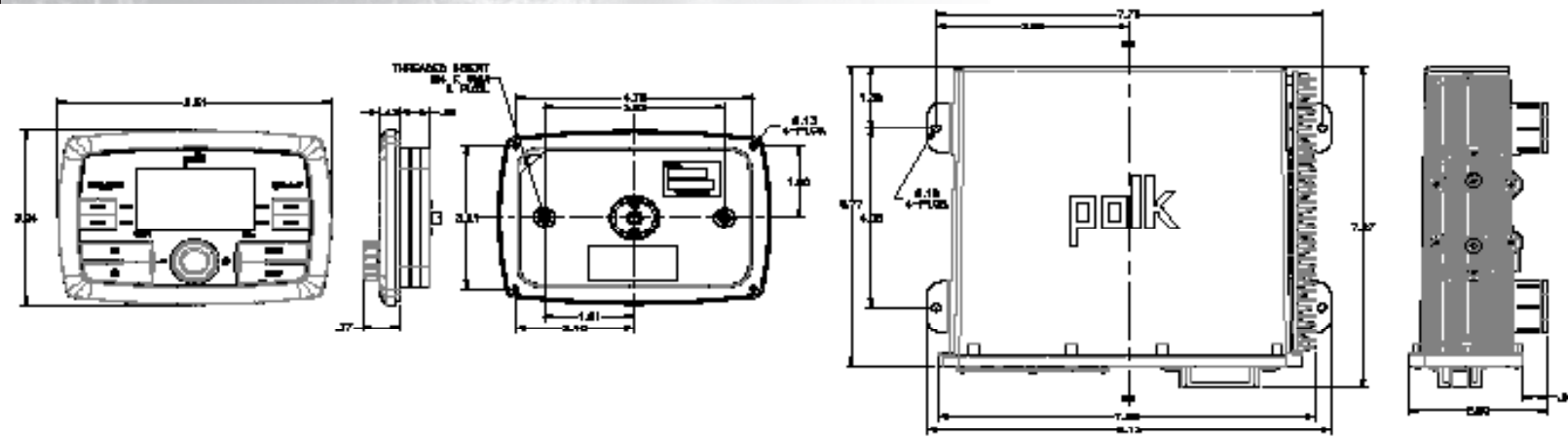
PRC200BC REMOTE

FEATURES:

- 200 watts max (50W x 4) with MOSFET Power IC
- Two-piece modular design (commander and hideaway module)
- Waterproof commander (IPX6) and module (IPX5)
- App Ready - All primary unit functions can be controlled by any iOS or Android-based mobile device with downloaded ASA Audio app
- Bluetooth® (A2DP/AVRCP/ID3)
- SiriusXM-Ready™ (requires SXV300V1M tuner)
- Full iPod®/iPhone® controls and charging (via USB)
- Weatherband tuner with alert
- USB inputs (2)
- AM/FM tuner (US/Euro)
- MP3 CODEC
- Microphone input (via UMZC4 zone 4)
- RBDS w/PTY search
- Low/Mid/High EQ tone controls
- Auxiliary audio inputs (2)
- Four-channel speaker output (20W x 4 RMS)
- Six-channel line-level output (front/rear/subwoofer, RCA, 4V)
- Two-wire power system with non-volatile memory
- White backlit illumination
- Detachable chrome trim ring
- Silicone rubber storage cover
- OE-friendly Deutsch waterproof, locking connectors
- Wired remote capable (PRC100BC, PRC200BC)
- Low battery warning (audible + visual)
- Conformal coated PCB
- UV resistant (ASTM D4329)
- Corrosion resistant materials/finishes (ASTM B117)
- Regulatory certifications: FCC/CE/C-tick/RoHS
- App Ready

asa
ELECTRONICS®

2602 Marina Drive • Elkhart, IN 46514
www.asaelectronics.com



FEATURES:

- Low-profile flush-mount design with panel or U-bracket fastening options
- Detachable chrome trim ring for front mounting
- Rotary encoder for volume control and menu-driven user interface
- Dot Matrix LCD with White color backlight visible in direct sunlight
- 2-Wire power system: 12V DC (Ground and L2V power switched)
- Non-Volatile Memory: For station presets, audio and user settings
- Electronic AM/FM Tuner (US/Bravo selectable) RDS w/PTY search
- Station Presets: 18 FM, 12 AM, 18 SAT
- NOAA 7-Channel Weather band
- Bluetooth (A2DP streaming audio ; AVRCP remote control)
- App Ready (UltraMarine)
- iPod/iPhone Ready (via USB)
- USB1 / USB2 (USB 2.0, MP3/WMA, iPod/iPhone, LA Charging)
- SiriusXM Ready (SXV200 tuner)
- Bass/ Mid/ Treble Tone Controls with BQ Presets
- Front/ Rear and Sub channel RCA Pre-Amp outputs (6 Volt)
- Aux1 and Aux2 Auxiliary Audio RCA Inputs
- Water Resistant Front Panel Commander: IPad / Tuner-Amp Chassis: IPx5
- Waterproof Latching Detach Power/ Speaker Connector
- PA (Public Address)
- IDAB Wired Remote ready (PRC100BC/ PRC200BC)
- Low Battery warning: Audible /Visual warning @ <10.5V
- Connects to DMZCA for added source controls. (Uses 8 pin JDAB interface)
- Conformal Coated PCB
- UV Resistant: ASTM D4329 compliant
- Corrosion Resistant Material/ Finishing ASTM B117 compliant
- Includes silicone rubber front panel protective cover

Specifications

General Specifications

Power System	12VDC	
Operating Voltage Range	18V to 16V	
Current Draw @ 12V	Idle	110mA
	Nominal	1.4A
	Maximum	2.0A
Operating Temperature Range	-4°F to 147°F	-20°C to +65°C
Storage Temperature Range	-22°F to 157°F	-30°C to +70°C
Maximum Relative Humidity	100%	
Overall Dimensions	7.81 x 7.81 x 2.27 Inches / 5.5 x 4 x 1.60 Centimeter	
Product Weight (unpacked)	2.5 lbs	

Performance Specifications

FM Sensitivity	14 μ V	
AM Sensitivity	20 μ V	
Output Power	RMS @ 1% THD	20W per channel
	Maximum	50 x 4 W
Total Harmonic Distortion @ 1 Watt	0.1 %	
Applied Test Suite	ASA ES001	
Regulatory Certification	FCC Part 15B; CE; CTick; RoHS	