



App Ready.



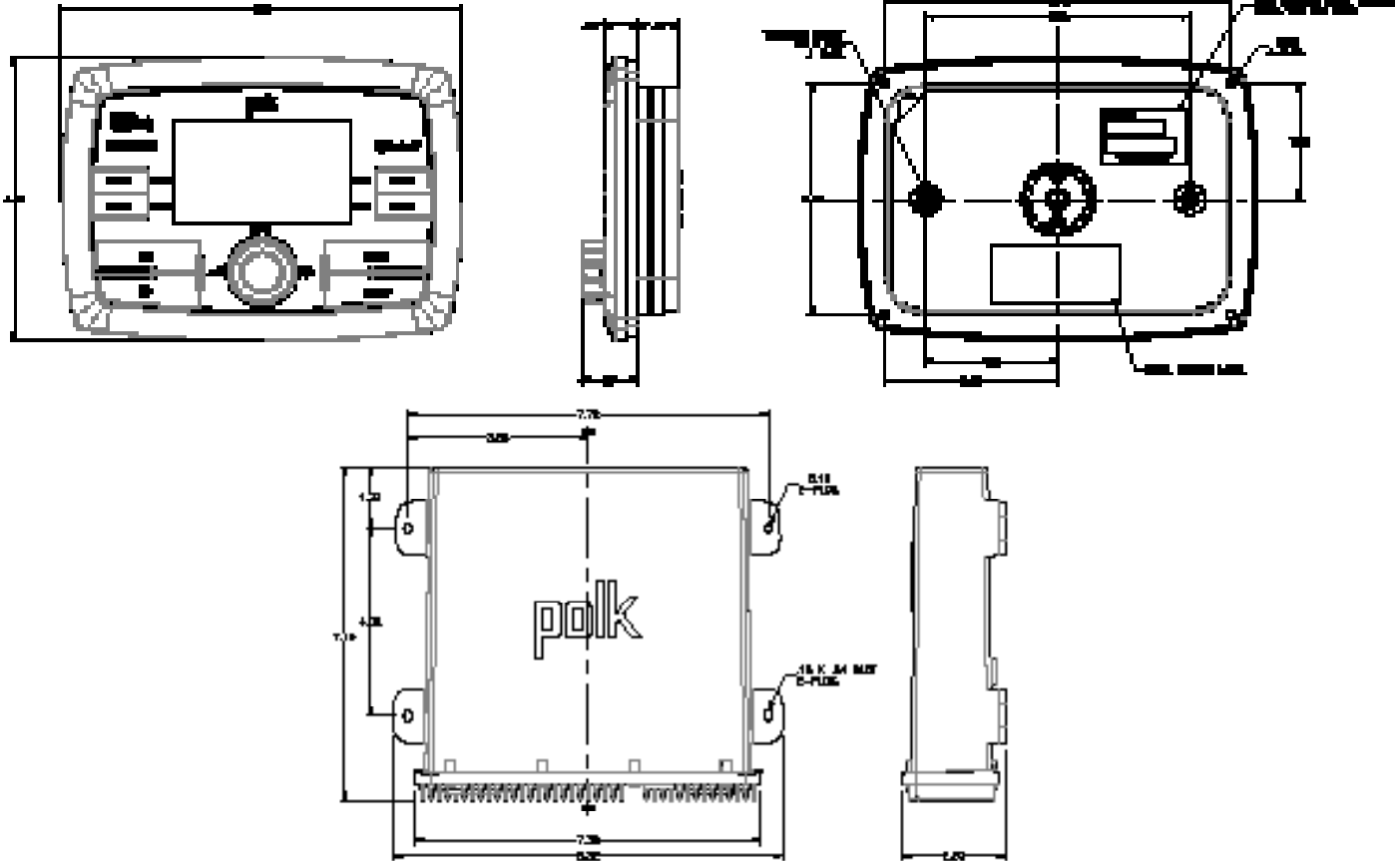
- 200 watts maximum power handling (50W x 4)
- Two-piece modular design (commander and hideaway module)
- Waterproof commander (IPX6) and module (IPX5)
- App Ready - All primary unit functions can be controlled by any iOS or Android-based mobile device with downloaded ASA Audio app
- Full iPod®/iPhone® control and charging (via USB)
- Bluetooth streaming audio (A2DP) and controls (AVRCP)
- SiriusXM-Ready® (requires SXV300V1M tuner and subscription)
- EQ Presets
- USB input for connection of digital media devices
- Seven-channel NOAA weatherband
- 18 FM/12 AM/18 SAT station presets
- Auxiliary line-level audio input (RCA)
- Four-channel line-level audio output (RCA, front + rear)
- Two-wire power system with non-volatile memory
- Remote control ready (PRC100BC, PRC200BC)
- Silicone rubber protective cover
- Low battery warning
- Conformal coated circuit boards
- Corrosion resistant materials/finishes (ASTM D1141)
- UV resistant materials/finishes (ASTM D4329)
- Dimensions: Module: 7.4" x 7.4" x 2.2"
Commander: 5.5" x 4" x 1"



PRC200BC Remote Control



PRC100BC Remote Control



Specifications		
General Specifications		
Power System	12 V DC	
Operating Voltage Range	14V to 16V	
Current Draw @ 12V	Idle	110 mA
	Nominal	1A
	Maximum	10 A
Operating Temperature Range	-14°F to 149°F -20°C to 65°C	
Storage Temperature Range	-22°F to 158°F -30°C to 70°C	
Maximum Relative Humidity	100%	
Overall Package Dimensions	7.4 x 7.4 x 2.2 <i>Turner/Amp</i> 5.5 x 4 x 1 <i>Commander</i>	
Product Weight (unpacked)	2.5 lbs.	
Performance Specifications		
FM Sensitivity	14 mV	
AM Sensitivity	30 mV	
Output Power	RMS @ 1% THD	26W per channel
	Maximum	50 x 4W
Total Harmonic Distortion	0.1%	
Applied Test Suite	ASA ES0001	
Regulatory Certification	FCC Part 15B, CE, CTick, RoHS	