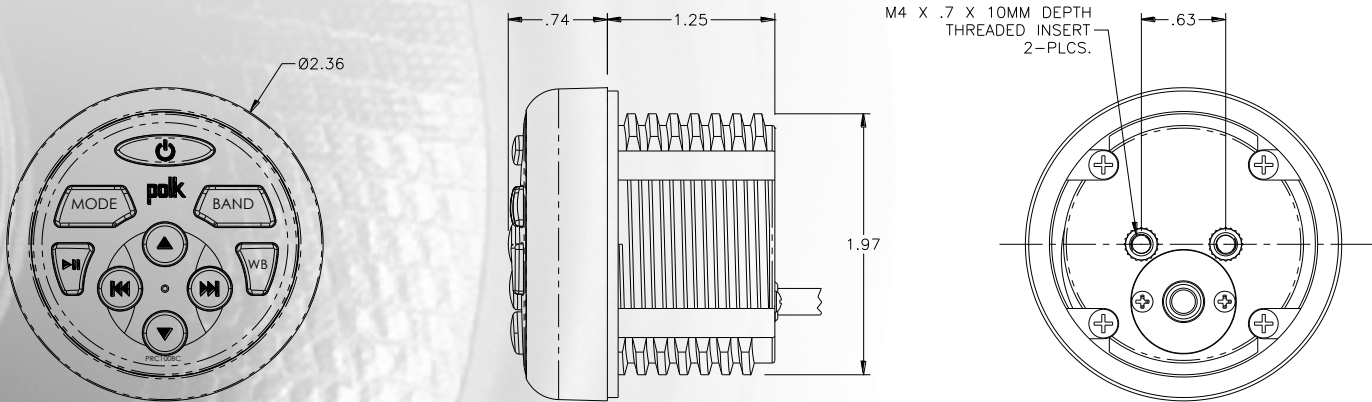




### FEATURES:

- Compatible with Polk Marine series radios
- Waterproof (IPX6)
- Blue backlit controls (LED illumination)
- Spin-on mounting clamp
- Removable/interchangeable trim ring (chrome included)
- Through hole mount with threaded housing and knurled securing nut
- Conformal coated circuit boards
- UV resistant finishes/materials (ASTM D4329)
- Corrosion resistant materials (ASTM B117)
- Ignition protection certified
- 2" diameter mounting hole



<u>Specifications</u>		
<b>Water Resistance Rating</b>	<b>IPX6</b>	
<b>Operating Temperature Range</b>	<b>-4°F to 149°F</b>	<b>-20°C to 65°C</b>
<b>Storage Temperature Range</b>	<b>-22°F to 158°F</b>	<b>-30°C to 70°C</b>
<b>Maximum Relative Humidity</b>	<b>100%</b>	
<b>Overall Dimensions</b>	<b>2 1/2" Dia. x 2"D</b>	
<b>Product Weight (unpackaged)</b>	<b>3/4 lb.</b>	