



PA450UM

AM|FM|WB|USB|SIRIUSXM READY™
IPOD® & IPHONE® READY|BLUETOOTH®



FEATURES:

- 200 watts max (50W x 4) with MOSFET Power IC
- Two-piece modular design (commander and hideaway module)
- Waterproof commander (IPX6) and module (IPX5)
- Bluetooth® (A2DP/AVRCP)
- SiriusXM Ready™ (requires SXV200B tuner)
- Full iPod®/iPhone® controls and charging (via USB)
- USB jack for connection of digital media device
- White backlit illumination
- NOAA seven-channel weatherband
- AM/FM electronic tuner (US/Euro selectable)
- EQ presets
- RBDS w/PTY search
- Auxiliary line level audio input (RCA)
- Four-channel line level audio output (RCA, front and rear)
- Wired remote capable (PRC100BC, PRC200BC)
- Two-wire power system with non-volatile memory
- Conformal coated circuit boards prevents damage from high humidity and salt
- Corrosion resistant materials/finishes (ASTM B117)
- UV resistant (ASTM D4329)
- Detachable chrome trim ring
- Silicone rubber face cover
- Low battery warning
- Regulatory certifications: FCC/CE/C-tick/RoHS



PRC200BC
Marine Wired Remote Control

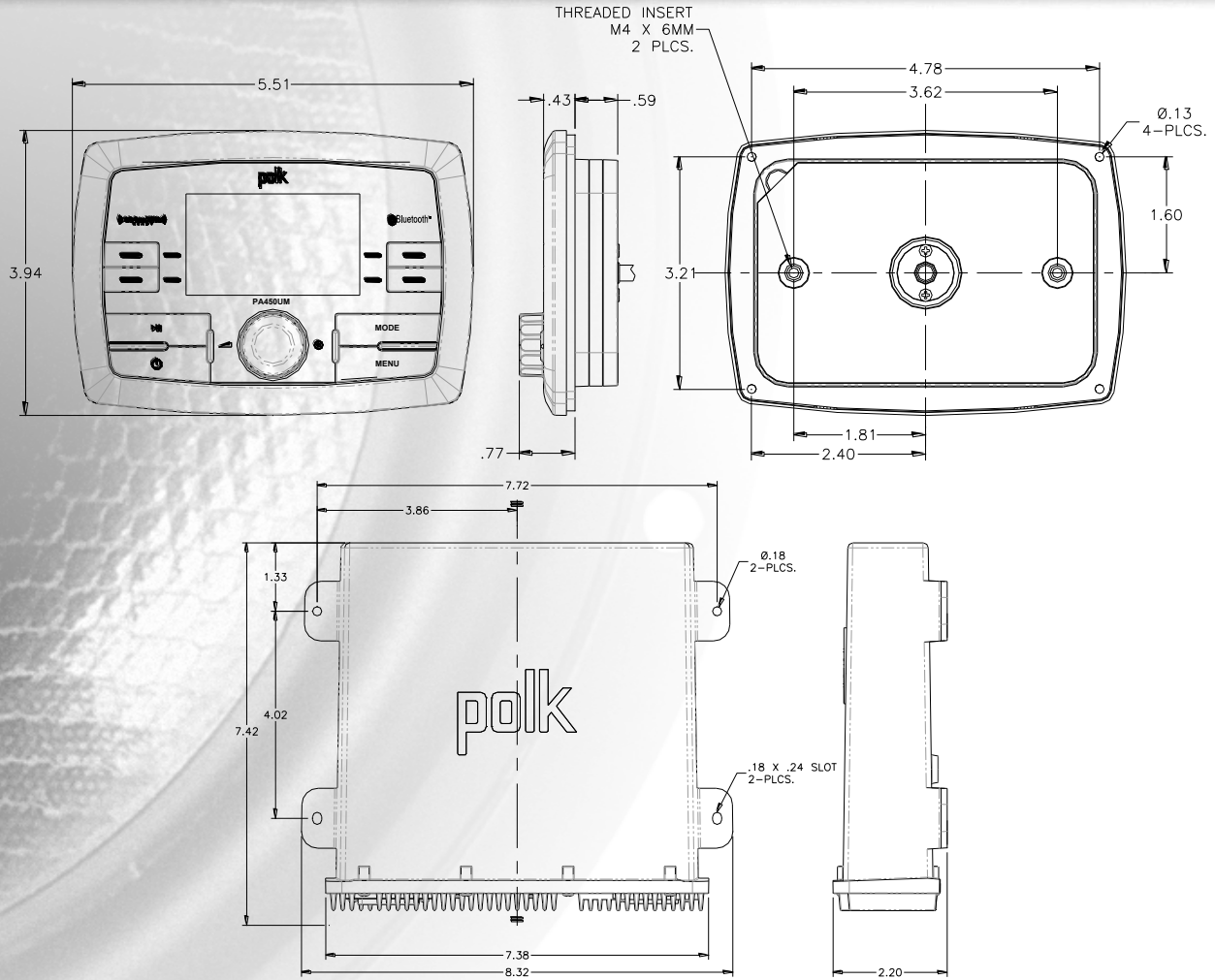


PRC100BC
Marine Wired Remote Control



PA450UM

AM|FM|WB|USB|SIRIUSXM READY™
IPOD® & IPHONE® READY|BLUETOOTH®



Specifications		
General Specifications		
Power System		12VDC
Operating Voltage Range		10V to 16V
Current Draw @ 12V	Idle	110mA
	Nominal	1.4A
	Maximum	10A
Operating Temperature Range		-14°F to 149°F -20°C to +65°C
Storage Temperature Range		-22°F to 158°F -30°C to +70°C
Maximum Relative Humidity		100%
Overall Dimensions		7.4 x 7.4 x 2.2 Tuner/ Amp-5.5 x 4 x 1 Commander
Product Weight (unpacked)		2.5 lbs
Performance Specifications		
FM Sensitivity		14 uV
AM Sensitivity		30uV
Output Power	RMS @ 1% THD	26W per channel
	Maximum	50 x 4 W
Total Harmonic Distortion @ 1 Watt		0.1 %
Applied Test Suite		ASA ES0001
Regulatory Certification		FCC Part 15B; CE; CTick; RoHS

Features and specifications subject to change without notice.