

6.5" Waterproof Coaxial Speaker



MS650 with blue light kit & RGMACX1SS grille



MSX65



UMCX650LK1



RGMACX1SB



MS650



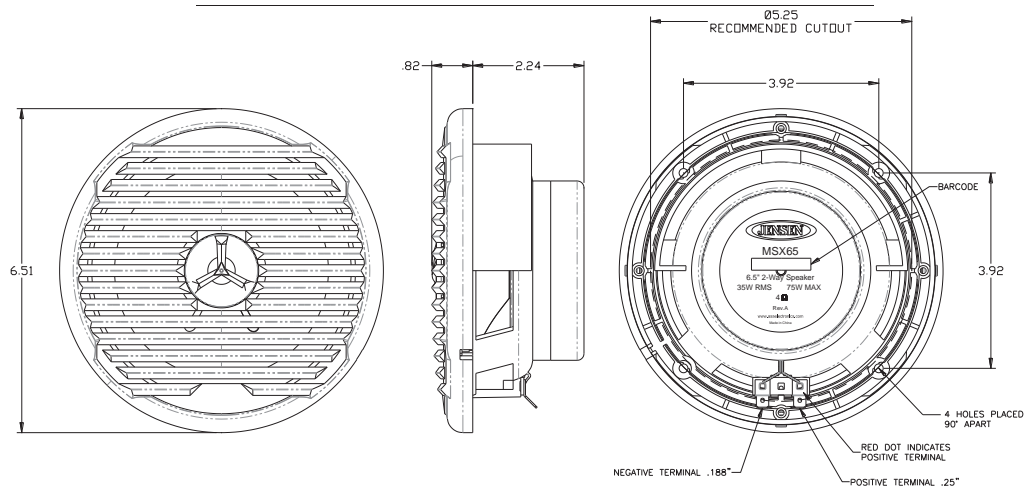
RGMACX1HW



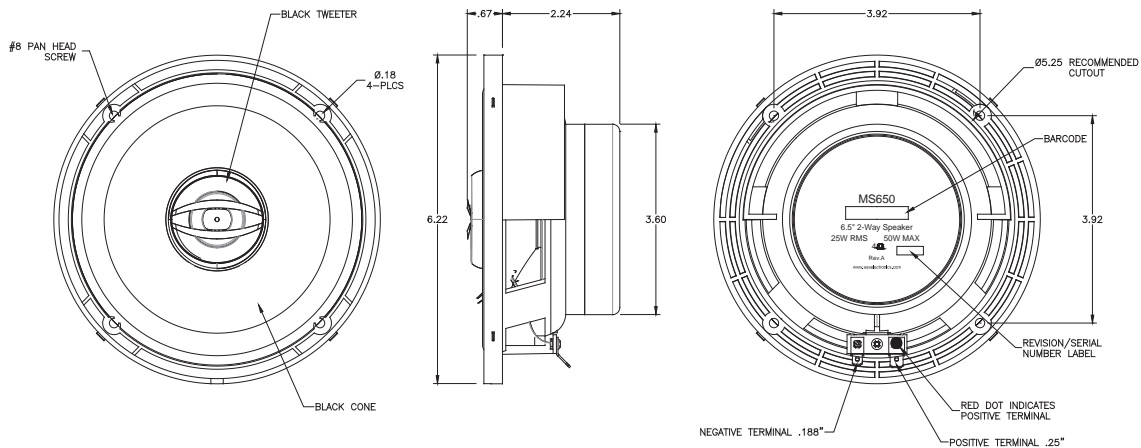
RGMACX1SS

6.5" Waterproof Coaxial Speaker

MSX65



MS650



MSX65

MS650

Specifications:

General Specifications:

Woofer Size	6.5"	
Woofer Material	Poly-propylene	
Tweeter Type	Dome	
Tweeter Material	Silk	
Voice Coil Size	1"	
Magnet Weight	11 oz	
Mounting Depth	2.3"	
Hole Size	5.25"	
Impedance	4 Ω	
Temperature Range	-30°C - 70°C	-22°F - 158°F
Max RH	100%	
Terminal Size	Positive - 1/4"	Negative - 3/16"

Performance Specifications:

Frequency Response	65 Hz - 20 KHz	
RMS Power Range	35W	
Max Power	75W	
SPL @ 1 W/ 1 M	88 dB	
Resonant Frequency	75 Hz	

Specifications:

General Specifications:

Woofer Size	6"	
Woofer Material	Poly-propylene	
Tweeter Type	Dome	
Tweeter Material	Mylar	
Voice Coil Size	1" ASV	
Magnet Weight	8.8 oz	
Mounting Depth	2.4"	
Hole Size	5.0"	
Impedance	4 Ω	
Temperature Range	-30°C - 70°C	-22°F - 158°F
Max RH	100%	
Terminal Size	Positive - 0.250"	Negative - 0.205"

Performance Specifications:

Frequency Response	50 Hz - 20 KHz	
RMS Power	25W	
Max Power	50W	
SPL @ 1 W/ 1 M	86 dB	
Resonant Frequency	57 Hz	