



DESIGNED TO MOVE [YOU][®]

MSX60CSS

6.5" Waterproof Component Speaker Set



KEY FEATURES

- Max Power Handling: 65 Watts
 - Sensitivity: 91dB
 - Frequency: 65Hz-20kHz
 - Nominal Impedance: 4 Ohms
 - Polypropylene Woofer: 6-1/2"
 - Magnet: 11 oz.
 - Mounting Hole Diameter: 5"
 - Mounting Depth: 2-1/3"
 - Tweeter Type: Silk dome
 - Tweeter Material: Neodymium
- ASTM B117 Salt Spray Exposure Standard Compliant
ASTM D4329 UV Exposure Standard Compliant

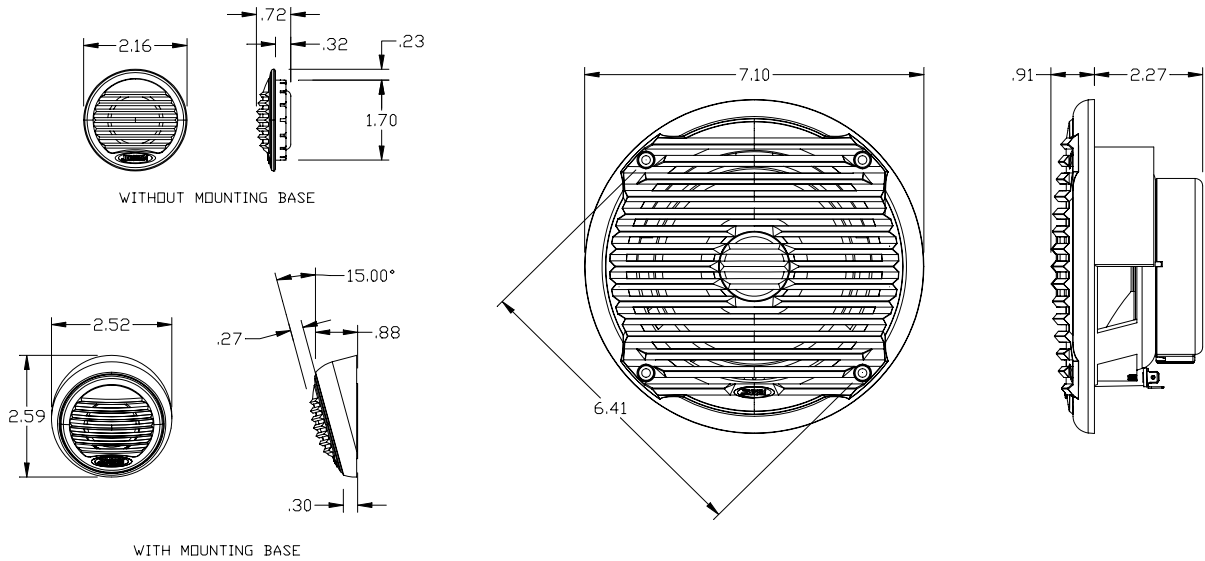
ASAelectronics[®]
THE MOBILE ELECTRONICS COMPANY SINCE 1977
2602 Marina Drive • Elkhart, IN 46514
www.asaelectronics.com

MARINE ENTERTAINMENT



MSX60CSS

6.5" Waterproof Component Speaker Set



Specifications:

General Specifications:

Woofers Size	6-1/2"	
Woofers Material	Blue PP, Rubber surround	
Tweeter Type	2-1/2" Neodymium	
Tweeter Material	Soft Dome Silk Membrane	
Woofers Voice Coil Size	1"	
Woofers Magnet Weight	11oz.	
Woofers Mounting Depth	2-1/4"	
Woofers Hole Size	5-1/4"	
Impedance	4 Ohms	
Temperature Range	-30°C - 70°C	-22°F - 158°F
Max RH	100%	
Terminal Size	Positive - 1/4"	Negative - 3/16"

Performance Specifications:

Frequency Response	50 Hz – 20 KHz	
RMS Power Range	30W per speaker	
Max Input Power	65W per speaker	