



DESIGNED TO MOVE [YOU][®]

MSX60

6.5" Coaxial Speakers



KEY FEATURES:

- Max power input: 75 watts
- Frequency response: 65Hz - 20KHz
- Bridged/suspended tweeter
- Polypropylene cone
- Rubber suspension/surround
- Magnet weight: 11 oz.
- High polished chrome grille
- Water and corrosion resistant sealed design
- All plastic chassis construction
- UV resistant (ASTM-D4329 compliant)
- Hole size: 5"
- Mounting depth: 2.3"
- Available in Chrome MSX60CP or Black MSX60B

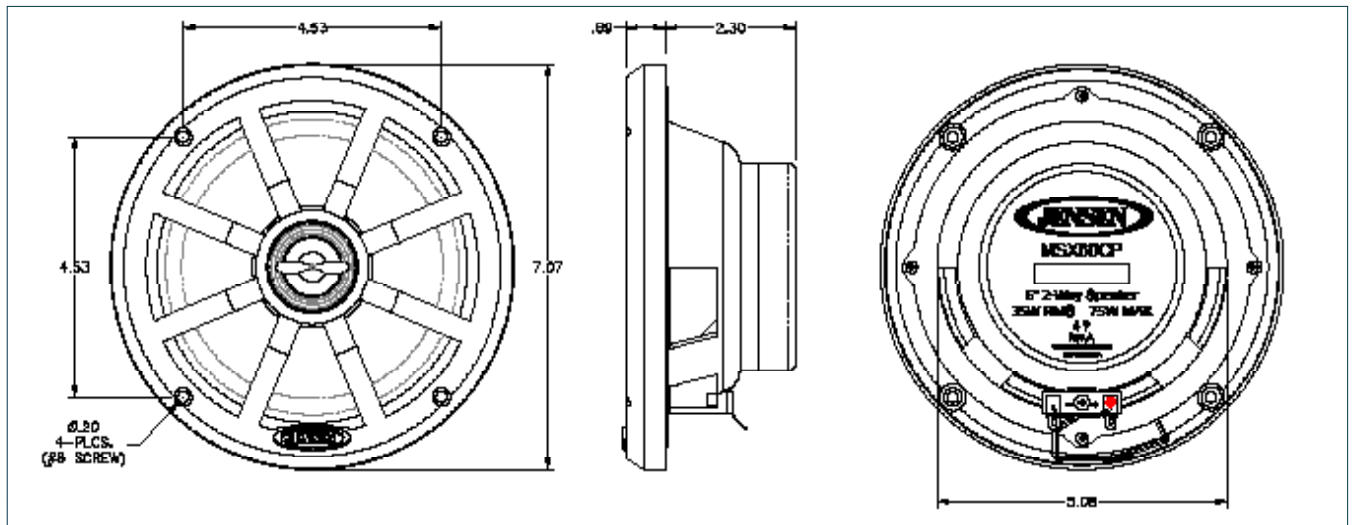
ASAelectronics.
THE MOBILE ELECTRONICS COMPANY SINCE 1977
2602 Marina Drive • Elkhart, IN 46514
www.asaelectronics.com

MARINE ENTERTAINMENT



MSX60

6.5" Coaxial Speakers



Specifications:

General Specifications:

Woofer Size	6"	
Woofer Material	Polypropylene	
Tweeter Type	Dome	
Tweeter Material	Silk	
Voice Coil Size	1" KSV	
Magnet Weight	11oz	
Mounting Depth	2.3"	
Hole Size	5"	
Impedance	4 Ω	
Temperature Range	-30°C - 70°C	-22°F - 158°F
Max RH	100%	
Terminal Size	Positive - 1/4"	Negative - 3/16"

Performance Specifications:

Frequency Response	65 Hz – 20 KHz	
RMS Power	35W	
Max Power	75W	
SPL @ 1 W/ 1 M	89 dB	
Resonant Frequency	75 Hz	