



DESIGNED TO MOVE [YOU][™]

MS650RTL

6.5" COAXIAL SPEAKERS



- 50 Watts
- Waterproof
- Sensitivity: 86dB
- Frequency Response: 50Kz-20kHz
- 4 Ohms
- Dome mylar tweeter
- Polypropylene woofer cone
- Corrosion Resistant Materials (ASTM B117)
- UV Resistant Materials (ASTM D4329)

Kit comes with two speakers, two black grilles, two white grilles, two silver grilles and two light kits



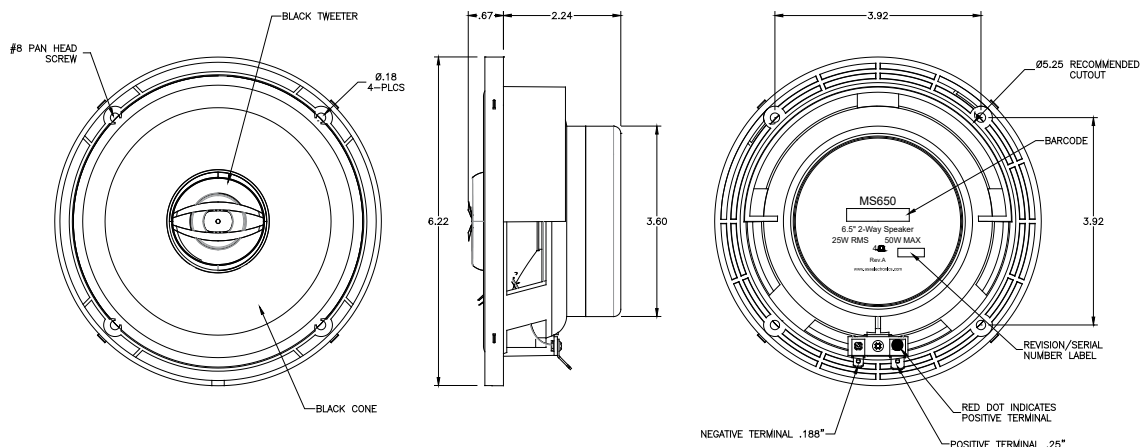
asa
ELECTRONICS[™]
2602 Marina Drive • Elkhart, IN 46514
www.asaelectronics.com



DESIGNED TO MOVE [YOU][™]

MS650RTL

6.5" COAXIAL SPEAKERS



Specifications:

General Specifications:

Woofer Size	6"	
Woofer Material	Poly-propylene	
Tweeter Type	Dome	
Tweeter Material	Mylar	
Voice Coil Size	1" ASV	
Magnet Weight	8.8 oz	
Mounting Depth	2.4"	
Hole Size	5.0"	
Impedance	4 Ω	
Temperature Range	-30°C - 70°C	-22°F - 158°F
Max RH	100%	
Terminal Size	Positive - 0.250"	Negative - 0.205"

Performance Specifications:

Frequency Response	50 Hz - 20 KHz	
RMS Power	25W	
Max Power	50W	
SPL @ 1 W/ 1 M	86 dB	
Resonant Frequency	57 Hz	