



6.5" Coaxial Waterproof Speakers [MS6007S]



KEY FEATURES:

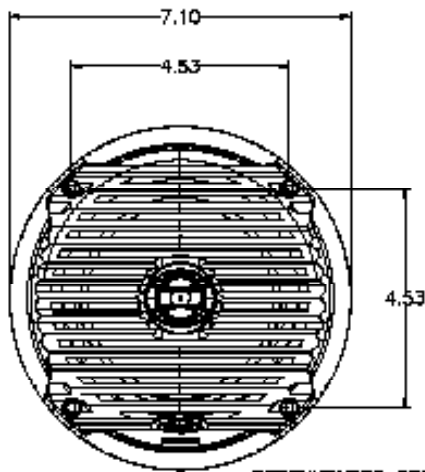
- Max power handling: 60 watts
- Weatherproof
- Sensitivity: 91dB
- Frequency: 79Hz-20kHz
- Nominal impedance: 4 Ohms
- Polypropylene cloth woofer cone: 6.5"
- Tweeter type: Dome
- Tweeter material: Titanium
- Suspension/surround: Rubber
- Voice coil size: 1"
- Magnet: 9.8 oz.
- Mounting hole diameter: 5"
- Mounting depth: 2.3"
- One-piece molded chassis with integrated drip-edge
- Corrosion resistant finishes/materials (ASTM B117)
- UV resistant finishes/materials (ASTM D4329)

MARINE CERTIFIED

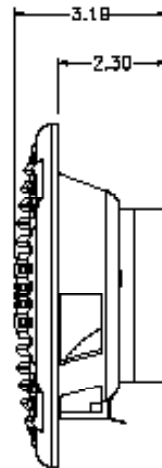
asa
ELECTRONICS
2602 Marina Drive • Elkhart, IN 46514
www.asaelectronics.com



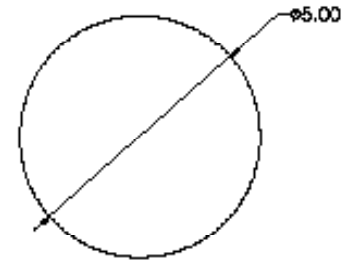
6.5" Coaxial Waterproof Speakers [MS6007S]



RECOMMENDED SCREW SIZE #8 PAN HEAD



RECOMMENDED HOLE CUTOUT
+/- TOLERANCE -0 / +125



Specifications:

General Specifications:

Woofer Size	6.5"	
Woofer Material	Grey Poly-propylene	
Suspension / Surround	Rubber	
Tweeter Type	Dome	
Tweeter Material	Titanium	
Voice Coil Size	1"	
Magnet Weight	9.8 Oz	
Mounting Depth	2.3	
Hole Size	5"	
Impedance	4 ohm	
Max RH	100%	
Temperature Range	-30°C - 70°C	-22°F - 158°F
Terminal Size	Positive - 1/4"	Negative - 3/16"

Performance Specifications:

Frequency Response	75Hz-20KHz
RMS Power Range	30W
Max Input Power	60W