



DESIGNED TO MOVE [YOU]®

MS30

AM|FM|USB Compact Waterproof Stereo



KEY FEATURES

- 160 watts (40W x 4)
- Waterproof (IPX6)
- AM/FM tuner
- USB input for MP3 enable devices
- Rear AUX input (RCA)
- Line-out audio (RCA)
- Compact, self-contained design
- Simple user interface
- Daylight-readable segmented LCD display and LED backlit buttons
- Electronic audio settings (Bass/Treble/Balance/Fader)
- Conformal coated circuit boards
- UV-resistant finishes/materials (ASTM D4329)
- Corrosion-resistant materials (ASTM B117)
- FCC/CE certified



asa
ELECTRONICS™

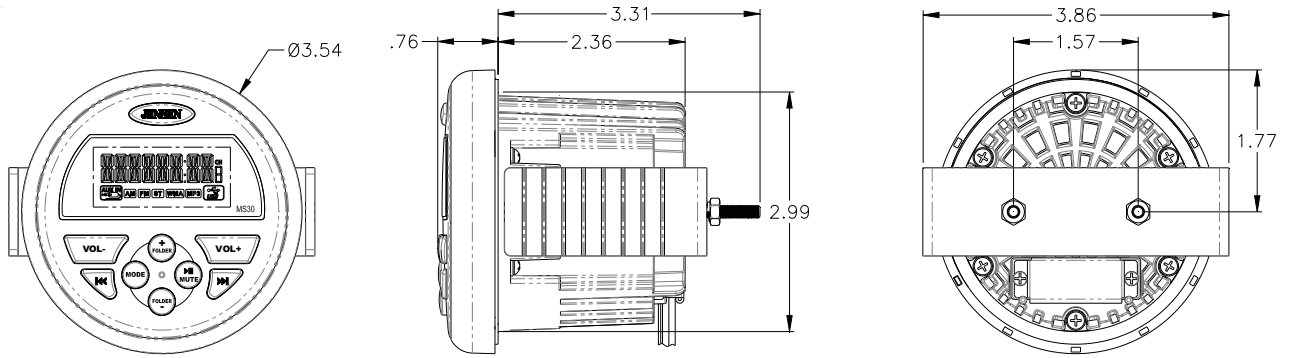
2602 Marina Drive • Elkhart, IN 46514
www.asaelectronics.com

MARINE ENTERTAINMENT



MS30

AM|FM|USB Compact Waterproof Stereo



Specifications

General Specifications

| | | |
|------------------------------------|----------------|--|
| Power System | | 12 VDC |
| Operating Voltage Range | | 9 V to 18 V |
| Current Draw @ 12V | Idle | 0 mA |
| | Nominal | 0.8 A |
| | Maximum | 7.8 A |
| Water Resistance Rating | | IPX6 |
| Operating Temperature Range | | -4°F to 149°F -20°C to 65°C |
| Storage Temperature Range | | -22°F to 158°F -30°C to 70°C |
| Maximum Relative Humidity | | 100% |
| Overall Dimensions | | 3" Dia. x 3.35" Depth |
| Product Weight (unpackaged) | | 3/4 lb. |

Performance Specifications

| | | |
|---|----------------|-------------------------------|
| FM Sensitivity | | 1 uV |
| AM Sensitivity | | 20 uV |
| Output Power | RMS | 15 W x 4 |
| | Maximum | 40 W x 4 |
| Total Harmonic Distortion @ 1 Watt | | 1% |
| Applied Test Suite | | ASA ES0001 |
| Regulatory Certification | | FCC Part 15B; CE; RoHS |