



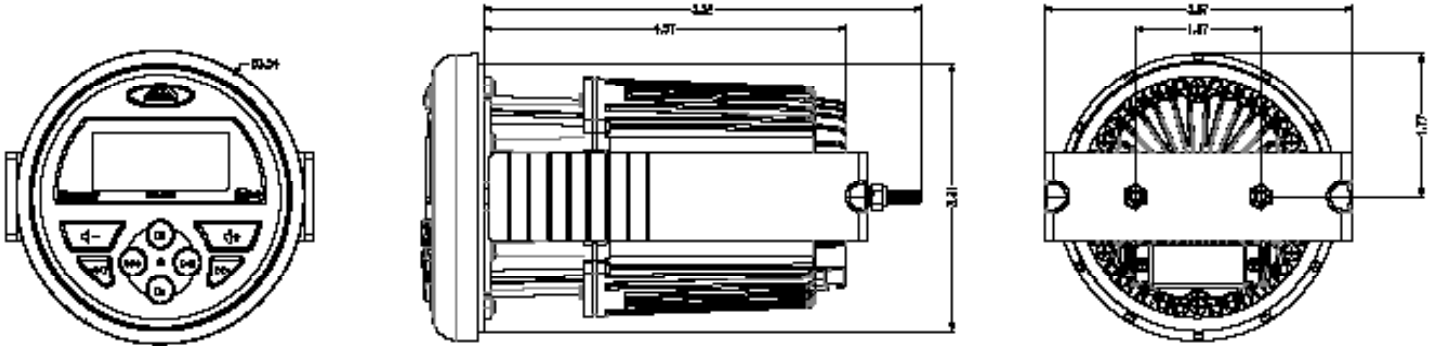
KEY FEATURES

- 160 watts (40W x 4)
- Bluetooth streaming audio (A2DP/AVRCP)
- Waterproof (IPX6)
- AM/FM tuner
- Rear USB input for MP3 enabled devices
- Rear AUX input (RCA)
- Line-out audio (RCA)
- Daylight-readable segmented LCD display and LED backlit buttons
- Electronic audio settings (Bass/Treble/Balance/Fader)
- Compact, self-contained design
- Simple user interface
- Conformal coated circuit boards
- UV resistant finishes/materials (ASTM D4329)
- Corrosion resistant materials (ASTM B117)
- FCC/CE certified
- App control: compatible with both Apple & Android



MA100

AM|FM|USB Compact Bluetooth Stereo with App Control



Features:

- 12V DC Power System (2 Wire)
- Segmented LCD with Blue LED backlighting
- Waterproof IP67
- UV and Corrosion Resistant
- AM/FM Tuner
- 12 Programmable Presets (6 AM, 6 FM)
- USB MP3/WMA Player
- Rear Pre-Amp Audio Output
- Rear Auxiliary Audio Input
- 4-Channel Amplified Audio Output
- Bluetooth (Supports A2DP and AVRCP)
- APF Ready (Marine Audio)
- Conformal Coated PCB

Specifications

General Specifications

Power System	12 VDC	
Operating Voltage Range	10 V to 14V	
Current Draw @ 12V	Idle	145 mA
	Nominal	1.5 A
	Maximum	10 A
Operating Temperature Range	-4°F to 149°F	-20°C to 65°C
Storage Temperature Range	-22°F to 158°F	-30°C to 70°C
Maximum Relative Humidity	100%	
Overall Package Dimensions	3.5" Diameter x 1.31" Depth	
Product Weight (unpacked)	1.2 lbs.	

Performance Specifications

FM Sensitivity	14 dBu	
AM Sensitivity	30 dBu	
Output Power	RMS	15 W x 4
	Maximum	40 W x 4
Total Harmonic Distortion	1 %	
Applied Test Suite	ASA ES0001	
Regulatory Certifications	FCC Part 15; CE; RoHS	



2602 Marina Drive • Elkhart, IN 46514
www.asaelectronics.com

MARINE ENTERTAINMENT