

# Voyager®

## Rear Four-Sensor System CVPS192



Stereo sold separately



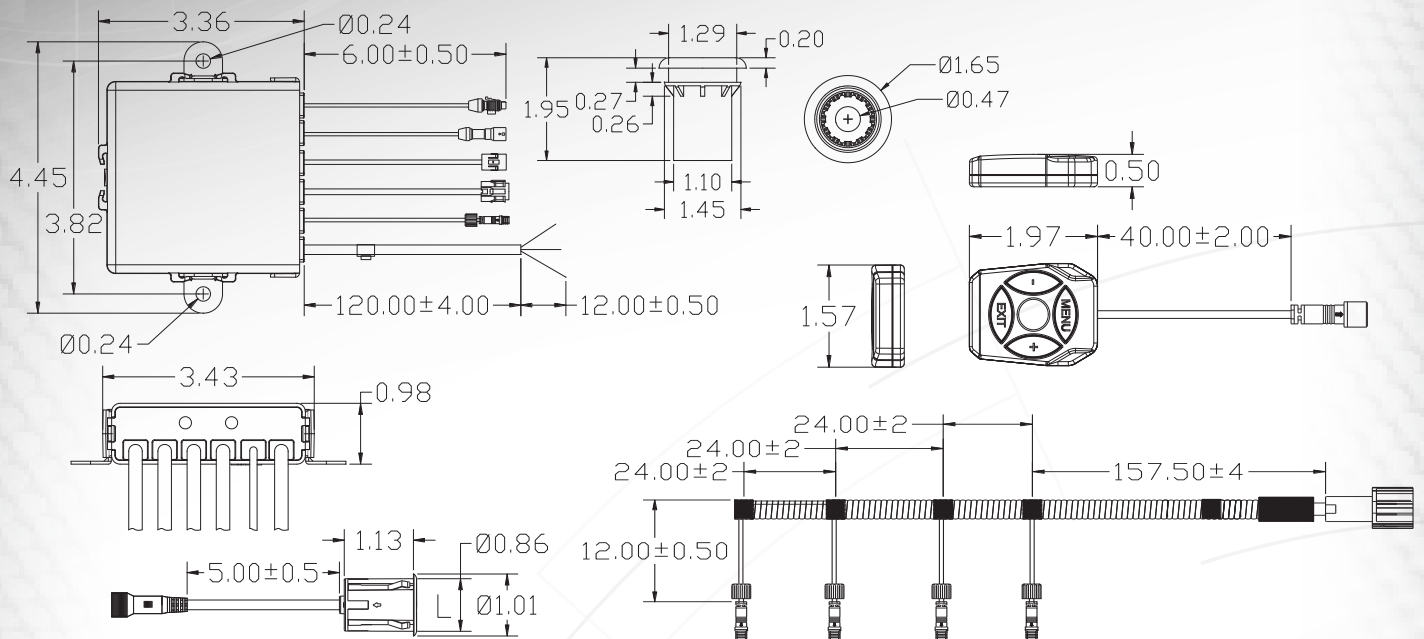
**CVPS192SR:**  
Two-sensor add-on kit (optional)

### KEY FEATURES

- Proximity detection/warning system with four bumper/body mount sensors
- Seamlessly integrates into any Voyager rear camera system
- Easy-to-read, on-screen display overlays that do not obstruct camera view
- Audio fed through monitor speaker
- Engineered for commercial vehicle environments
- Compatible with JENSEN® touchscreen stereo (with camera input)
- Compatible cameras: VCAHD140i, VCMS20, VCMS20B, VCMS17, VCMS17B

# Voyager®

## Rear Four-Sensor System CVPS192



### Specifications

#### General Specifications

Power System	12 VDC	
Operating Voltage Range	10V to 16V	
Current Draw @ 12V	130 mA	
Operating Temperature Range	-40°F to 185°F	-40°C to 85°C
Storage Temperature Range	-40°F to 185°F	-40°C to 85°C
Maximum Relative Humidity	95%	
Overall Dimensions (OSD Module)	3.4 in x 3.4 in x 1.0 in	
Product Weight (unpacked)	1.8 lbs.	