

Voyager[®]

Color CMOS Camera

VCMS20



PRODUCT FEATURES:

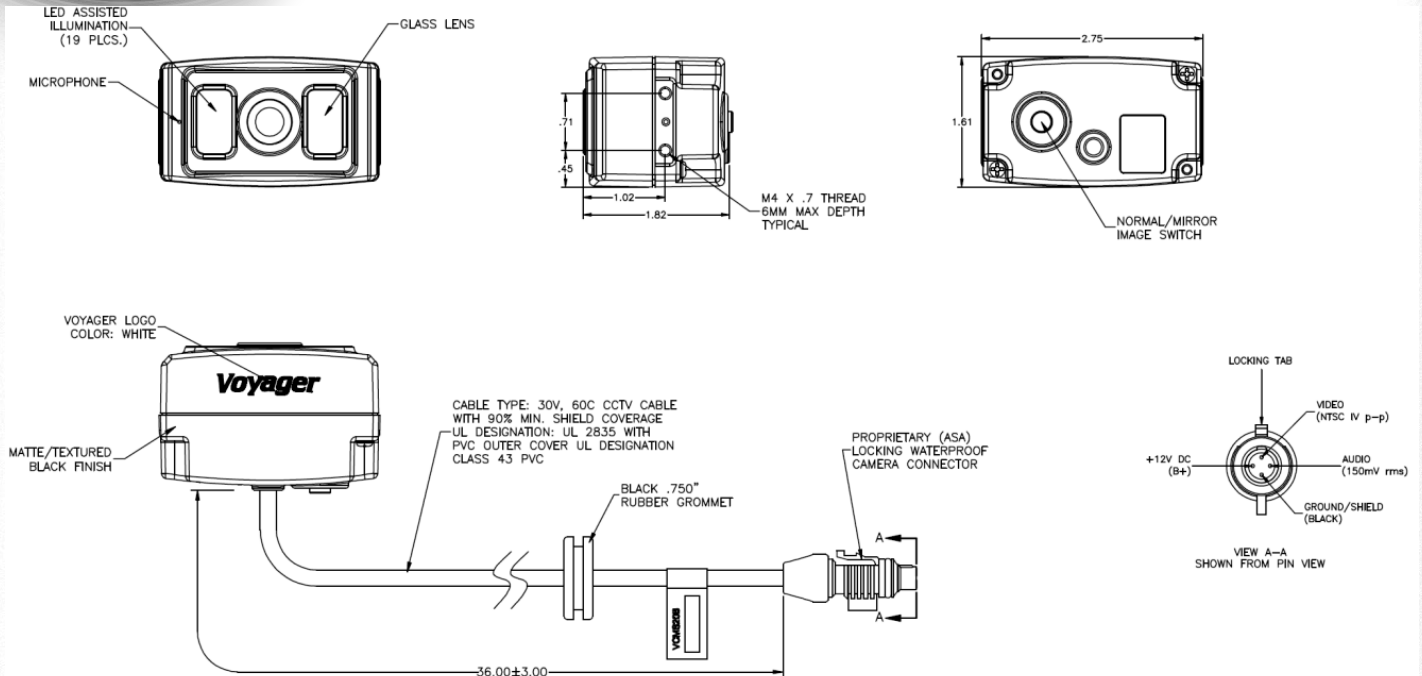
- High-performance color optics
- CMOS sensor
- 19 LEDs for excellent night vision
- Microphone
- Normal/mirror image switch
- Waterproof (IP69K)
- Corrosion resistant
- 12V DC

EXPAND your vision™

asa
ELECTRONICS™
2602 Marina Drive • Elkhart, IN 46514
www.asaelectronics.com

Voyager[®]

Color CMOS Camera VCMS20



Specifications: ES-0001 Electrical / ES-0013 Environmental

General Specifications:

Power System	12VDC	
Operating Voltage Range	9V – 15VDC	
Power Consumption	161 mA	
Operating Temperature Range	-40°F to 185°F	-40°C to 85°C
Storage Temperature Range	-40°F to 185°F	-40°C to 85°C
Operating Relative Humidity	100% RH	
Waterproof Rating	IP69K	
Overall Dimensions (without bracket)	1.61" x 1.82" x 2.75"	40.9 x 46.2 x 68.8 mm
Product Weight (unpacked)	8.82 Oz	250 g

Optical Specifications

Video Output Signal Format		NTSC
Video Signal Output Level		1.0V p-p ; 75Ω
CCD Specifications	Sensor	1/3" CMOS
	Iris/Shutter Type	Electronic Automatic
	Shutter speed	1/60 s ~ 12 μs
	Resolution	600 TV Lines
	Sensitivity	0 Lux
	Image Orientation	Mirror / Normal
	View Angles	D
	H	109°
	V	93°

Features and specifications subject to change without notice.