

polk
ULTRAMARINE
 C E R T I F I E D

PA4A
MARINE SOURCE UNIT



PRC100BC REMOTE



PRC200BC REMOTE

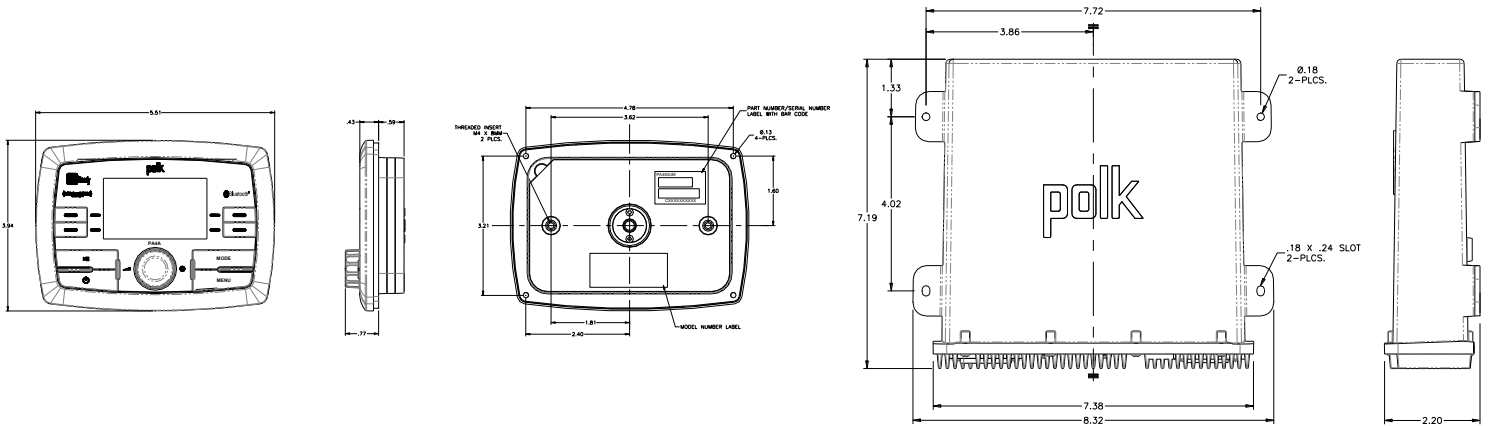
App Ready

FEATURES:

- 200 watts maximum power handling (50W x 4)
- Two-piece modular design (commander and hideaway module)
- Waterproof commander (IPX6) and module (IPX5)
- App Ready - All primary unit functions can be controlled by any iOS or Android-based mobile device with downloaded Polk Ultramarine app
- Full iPod®/iPhone® control and charging (via USB)
- Bluetooth streaming audio (A2DP) and controls (AVRCP)
- SiriusXM-Ready™ (requires SXV300V1M tuner and subscription)
- USB jack for connection of digital media devices
- Seven-channel NOAA weatherband tuner
- AM/FM tuner (US/Euro)
- White backlit illumination
- Auxiliary line-level audio input (RCA)
- Four-channel line-level audio output (RCA, front + rear)
- Silicone rubber protective cover
- Two-wire power system with non-volatile memory
- Wired remote control capable (PRC100BC, PRC200BC)
- Low battery warning
- Conformal coated circuit boards
- Corrosion resistant materials/finishes (ASTM B117)
- UV resistant materials/finishes (ASTM D4329)
- Dimensions: 7.4" x 7.4" x 2.2" Tuner/Amp
 5.5" x 4" x 1" Commander

asa
ELECTRONICS™

2602 Marina Drive • Elkhart, IN 46514
www.asaelectronics.com



Features:

- Low-profile flush-mount design with panel an U-bracket fastening options
- Detachable chrome trim ring for front mounting.
- Rotary encoder for volume control and menu-driven user interface
- Dot Matrix LCD with White color backlight readable in direct sunlight
- 2-Wire power system: 12V DC (Ground and 12V power switched)
- Non-Volatile Memory: For station presets, audio and user settings
- Electronic AM/FM Tuner (US/Euro selectable)
- Station Presets: 18 FM, 12 AM, 18 SAT
- RBDS w/PTY search
- NOAA 7-Channel Weather band
- Bluetooth (A2DP streaming audio ; AVRCP remote control)
- iPod/iPhone Ready (via. USB)
- USB 2.0 for Playback of MP3 and WMA audio files
- SiriusXM Ready (SXV200 tuner)
- EQ Presets (Flat, Rock, Pop, Classical, User settings)
- Front and Rear channel RCA Pre-Amp outputs
- Auxiliary Audio RCA Input
- Front Panel Commander Water Resistance Rating: IPx6
- Tuner / Amp Chassis. Water Resistant Rating: IPx5
- ISO Power/ Speaker Connector
- JDAB Wired Remote ready (PRC100BC/ PRC200BC)
- Low Battery warning: Audible /Visual warning @ <10.8V
- Max output power: 50W X4 with MOSFET Power IC
- Conformal Coated PCB
- UV Resistant: ASTM D4329 compliant
- Corrosion Resistant Material/ Finishing ASTM B117 compliant
- Includes silicone rubber front panel protective cover
- App Ready (Ultra Marine)

Specifications

General Specifications

Power System	12 V DC	
Operating Voltage Range	10V to 16V	
Current Draw @ 12V	Idle	110 mA
	Nominal	1.4 A
	Maximum	10 A
Operating Temperature Range	-14°F to 149°F	-20°C to 65°C
Storage Temperature Range	-22°F to 158°F	-30°C to 70°C
Maximum Relative Humidity	100%	
Overall Package Dimensions	7.4 x 7.4 x 2.2 Tuner/Amp 5.5 x 4 x 1 Commander	
Product Weight (unpacked)	2.5 lbs.	

Performance Specifications

FM Sensitivity	14 uV	
AM Sensitivity	30 uV	
Output Power	RMS @ 1% THD	26W per channel
	Maximum	50 x 4W
Total Harmonic Distortion	0.1%	
Applied Test Suite	ASA ES0001	
Regulatory Certification	FCC Part 15B, CE, CTick, RoHS	