



5" High Performance Coaxial Speaker

# JXHD50HPC



## PRODUCT FEATURES

- Max power: 75 watts
- Bridged/suspended tweeter
- All plastic chassis construction
- Polypropylene cone
- Rubber suspension/surround
- Gloss black grille color
- UV resistant (ASTM D4329)
- Water and corrosion resistant sealed design
- Magnet weight: 6.5 oz.
- Mounting depth: 2"

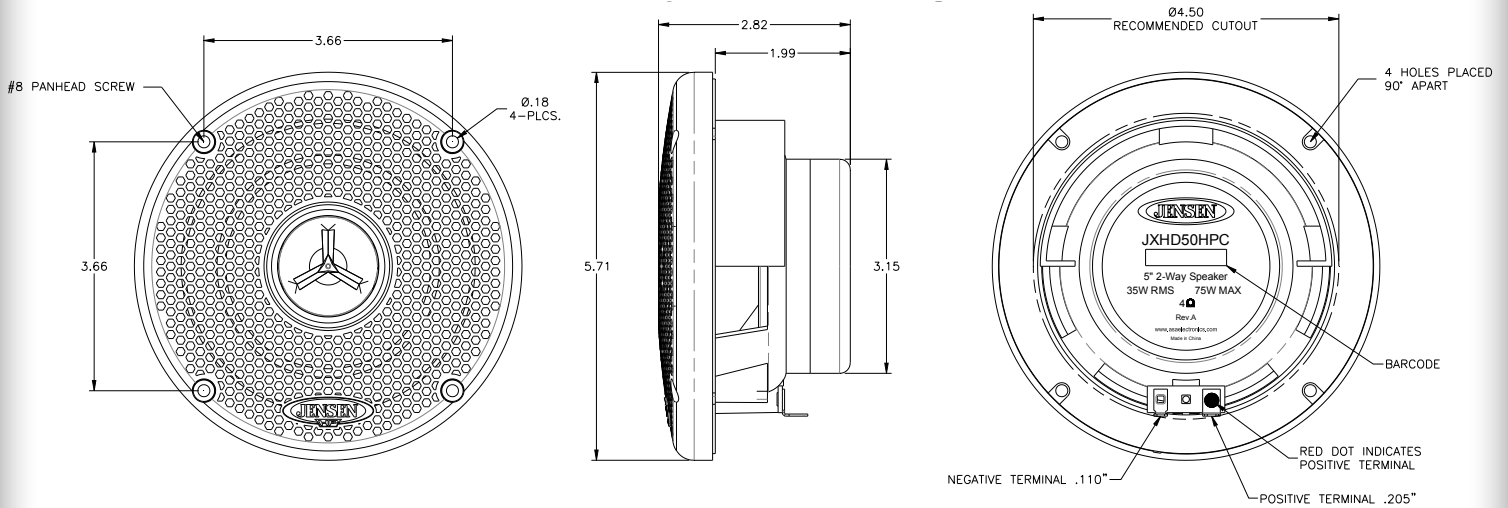
DESIGNED TO MOVE [YOU]™

**asa**  
ELECTRONICS™

2602 Marina Drive • Elkhart, IN 46514  
[www.asaelectronics.com](http://www.asaelectronics.com)



# 5" High Performance Coaxial Speaker JXHD50HPC



## **Specifications:**

### **General Specifications:**

Woofer Size	5"	
Woofer Material	Poly-propylene	
Tweeter Type	Dome	
Tweeter Material	Silk	
Voice Coil Size	1" KSV	
Magnet Weight	6.5 oz	
Mounting Depth	2"	
Hole Size	4.5"	
Impedance	4 Ω	
Temperature Range	-30°C - 70°C	-22°F - 158°F
Max RH	100%	
Terminal Size	Positive - 0.205"	Negative - 0.110"

### **Performance Specifications:**

Frequency Response	80 Hz – 20 KHz	
RMS Power	35W	
Max Power	75W	
SPL @ 1 W/ 1 M	88 dB	
Resonant Frequency	90 Hz	