



AM/FM/BLUETOOTH/USB/HDMI/AUX STEREO

JWM22



PRODUCT FEATURES

- Bluetooth® streaming audio (A2DP) and control (AVRCP)
- Front USB with MP3/WMA playback
- Front HDMI input for pass through to HDMI output
- HDMI pass thru (plays HDMI audio input over speaker and low level outputs)
- 30 station presets (18FM, 12AM)
- 2 speaker zones
- Rear AUX A/V input (RCA jacks)
- Mono subwoofer line level audio output (rear RCA jack)
- White LED backlit controls
- Stereo line level audio output zone A (rear RCA jacks)
- 24 Watts maximum
- Clock with alarm and sleep timer
- Remote control included
- 5.25"W x 4.6"H x 3.5"D

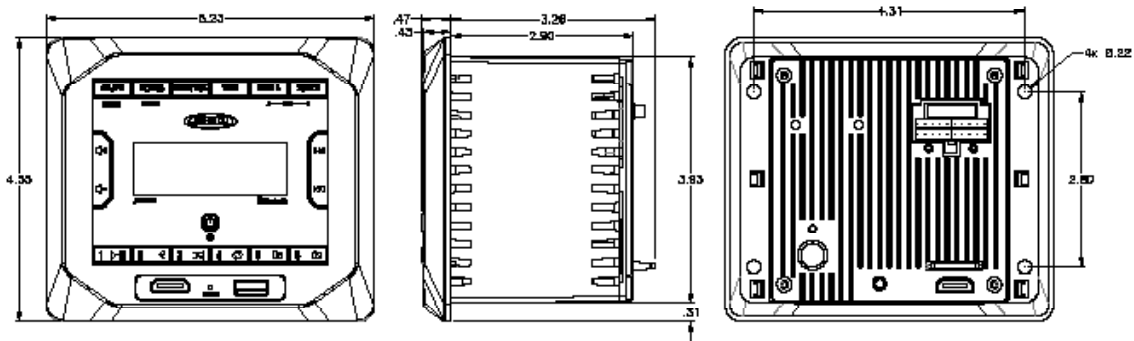
DESIGNED TO MOVE [YOU]™

asa
ELECTRONICS
2602 Marina Drive • Elkhart, IN 46514
www.asaelectronics.com



AM/FM/BLUETOOTH/USB/HDMI/AUX STEREO

JWM22



Specifications

General Specifications

Power System		12 V DC (2-wire)	
Operating Voltage Range		10 V to 16 V	
Current Draw @ 12V	Quiescent	0 A	
	Standby	110 mA	
	Nominal	3 A	
	Maximum	8 A	
Operating Temperature Range		-4°F to 149 °F	-20°C to 65°C
Storage Temperature Range		-22°F to 158°F	-30°C to 70°C
Maximum Relative Humidity		95%	
Overall Dimensions		5.25" W x 4.6" H x 3.5" D	
Product Weight (unpacked)		1.0 lb	

Performance Specifications

FM Sensitivity	<4 μ V
AM Sensitivity	<63 μ V
Output Power RMS	4 x 7 Watts Total
Total Harmonic Distortion	1%
Applied Test Suite	ASA ES0001
Regulatory Certification	FCC Part 15B