



19" LED DC Television

JTV19DC



PRODUCT FEATURES

- DC power
- Integrated HDTV (ATSC) tuner
- HD ready (1080p, 720p, 480p)
- VESA 100mm x 100mm mounting pattern
- jCOM protocol provides direct communication to JENSEN HDMI-equipped stereos and DVD players
- ARC (Audio Return Channel) via HDMI
- Full-function remote control and DC power cord included
- Optional accessory adapter cable (DCCIG09) and table top stand (STDJE1914) available
- Dimensions: 18"W x 12"H x 2"D
- Weight: 5.6 lbs.

INPUT/OUTPUTS

- Composite video input (NTSC/PAL compatible)
- Component video input x 1 (YPbPr)
- Stereo audio input
- RF
- USB
- VGA with 3.5mm audio input
- HDMI inputs (1)
- Selectable (variable/fixed) line-level audio output (RCA)
- Digital SPDIF audio output (RCA)
- Headphone output

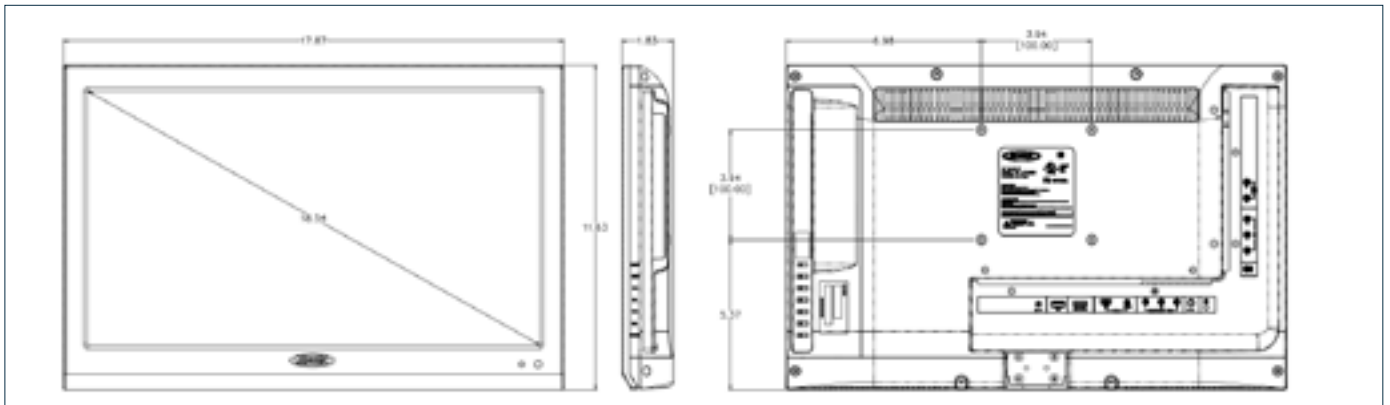
DESIGNED TO MOVE [YOU]™

asa
ELECTRONICS™

2602 Marina Drive • Elkhart, IN 46514
www.asaelectronics.com



19" LED DC Television JTV19DC



Specifications: Test Spec ES-0001 (Modified)

General Specifications:

Power System	DC 12 V	
Power Consumption	11mA stand by	1.960A max
Operating Temperature Range	-4°F to 149°F	-20°C to 65°C
Storage Temperature Range	-22°F to 158°F	-30°C to 70°C
Maximum Relative Humidity	85%	
Overall Dimensions	17.9" W x 11.6" H x 1.8" D (without stand)	
Product Weight (unpacked)	5.5 lbs	
Regulatory Certification(s)	FCC	
ASA Validation Test Specification	ES001	

Performance Specifications:

Video / Display System	NTSC/ATSC/PAL		
Video Input Signal (Composite)	1Vp-p @ 75 ohms		
Audio Output	3W x 2		
LCD Specifications	Diagonal Size	18.5"	
	Resolution	1366 x 768	
	Brightness	200 nit	
	Contrast Ratio	1000 : 1	
	View Angles	Top	80°
		Bottom	80°
		Left	85°
Right		85°	
Display Format	16:9		
Response Time	5.0ms		