



Amplified Sound Bar

# JSB4000



## PRODUCT FEATURES

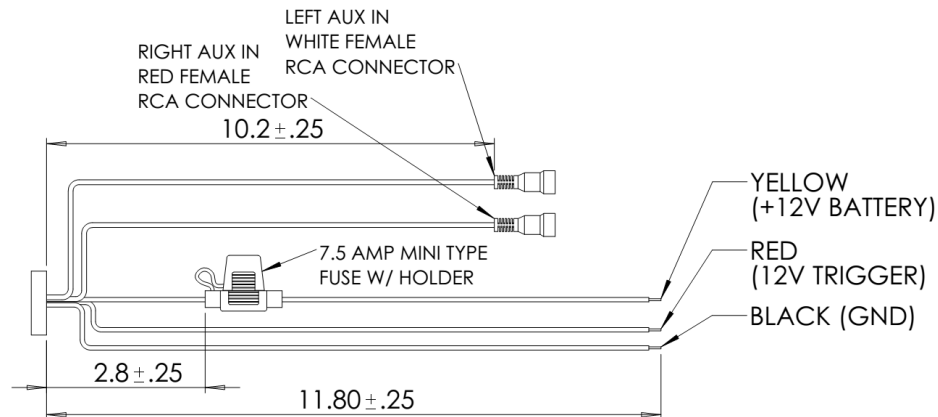
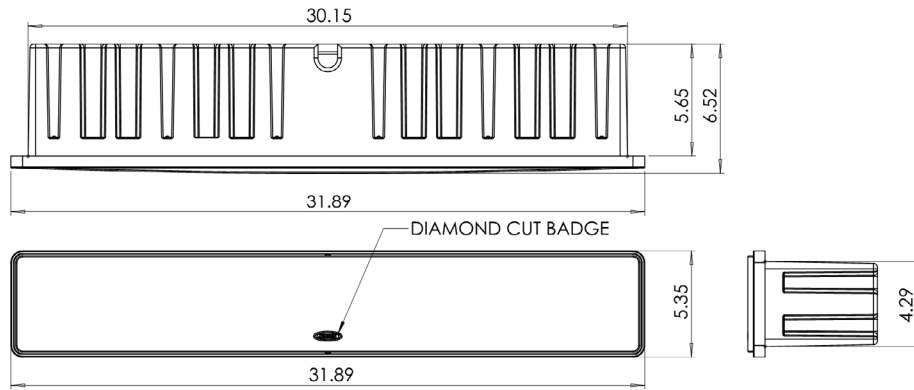
- 80 watts max handling power
- Integrated 12VDC amplifier
- Three-way acoustical design:
  - Two 4-inch paper woofer cones
  - Two 4-inch paper midrange cones
  - Two 1-inch silk tweeters
- Ported/tuned enclosure
- Three-wire system
- Single piece, snap-style, metal grille
- Surface mount installation
- Magnet weight woofer/midrange: 11.2 oz/5.4 oz
- Frequency response: 20Hz - 20KHz
- Impedence: 4 ohm
- Plastic chassis construction
- Dimensions: 30.15" x 5.65" x 4.29"
- Weight: 11.5 lbs

DESIGNED TO MOVE [YOU]<sup>™</sup>

**asa**  
ELECTRONICS<sup>™</sup>  
2602 Marina Drive • Elkhart, IN 46514  
[www.asaelectronics.com](http://www.asaelectronics.com)



# Amplified Sound Bar JSB4000



## General Specifications:

Woofer Size / Material / Quantity	4" / paper / 2	
Midrange Size / Material / Quantity	4" / paper / 2	
Tweeter Size / Material / Quantity	1" / silk / 2	
Voice Coil Material / Woofer / Midrange	ASV / 1" / 0.75"	
Magnet Weight Woofer / Midrange	11.2 oz. / 5.4 oz.	
Mounting Depth	5.65"	
Hole Size	30.15" x 5.65" x 4.29"	
Impedance	4 Ω	
Temperature Range	-30°C - 65°C	-22°F - 149°F
Max RH	95%	
Amperage @ 13.8VDC Idle / Max	130mA	5A

## Performance Specifications:

Frequency Response	20 Hz - 20 KHz
RMS Power	25 W
Max Power	80 W
SPL @ 1 W/ 1 M	87 dB