



AM/FM/RBDS/WB Heavy Duty Radio

# JHD1130



## PRODUCT FEATURES

- 12V DC power
- Max output power: 40W x 4
- Electronic AM/FM tuner (US/Euro)
- NOAA 7-channel Weather band
- RBDS with PTY search
- Front AUX input
- Amber backlighted control panel buttons
- 12/24 hour selectable clock with Super-Cap 30 day power backup
- Encoder knob volume control
- Beep tone confirmation (user selectable On/Off)
- EQ presets (Flat, Rock, Pop, Classical, User settings)
- Conformal coated PCB
- Preset tuning
- Non-volatile memory
- Low battery alert (Voltage < 10.8 VDC)
- IR remote ready (remote sold separately)
- Channel lock

DESIGNED TO MOVE [YOU]<sup>™</sup>

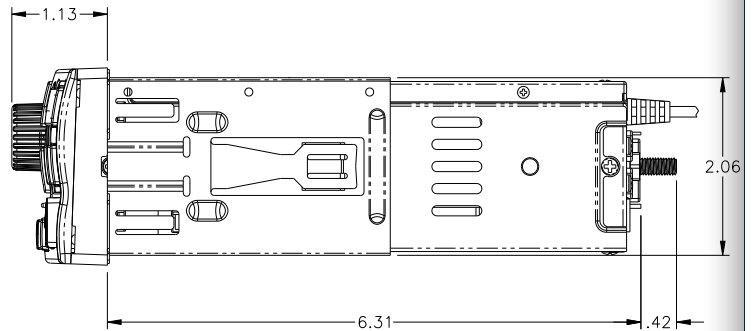
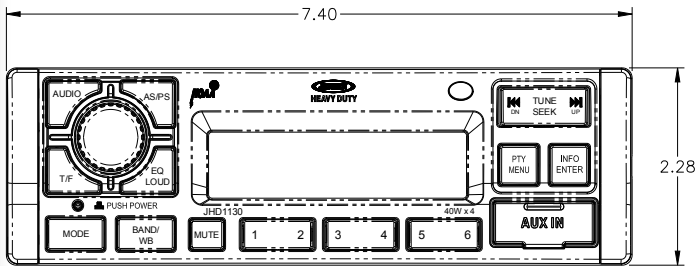
Features and specifications subject to change without notice.

**asa**  
ELECTRONICS<sup>™</sup>  
2602 Marina Drive • Elkhart, IN 46514  
[www.asaelectronics.com](http://www.asaelectronics.com)



AM/FM/RBDS/WB Heavy Duty Radio

# JHD1130



## Specifications

### General Specifications

Power System		12 VDC
Operating Voltage Range		9 V to 18 V
Current Draw @ 12V	Standby	0 A
	Nominal	1.3 A
	Maximum	9.5 A
Operating Temperature Range		-22°F to 185°F   -30°C to 85°C
Storage Temperature Range		-40°F to 185°F   -40°C to 85°C
Maximum Relative Humidity		95%
Overall Dimensions		6.3" x 7.4" x 2.1"
Product Weight (unpacked)		2.75 lbs.

### Performance Specifications

FM Sensitivity		1 uV
AM Sensitivity		20 uV
Output Power	RMS	18 W x 4
	Maximum	40 W x 4
Total Harmonic Distortion @ 1 Watt		1%
Applied Test Suite		ASA ES0013
Regulatory Certification		FCC Part 15B / E-Mark