



4" Two-Way Speaker
1104015



PRODUCT FEATURES

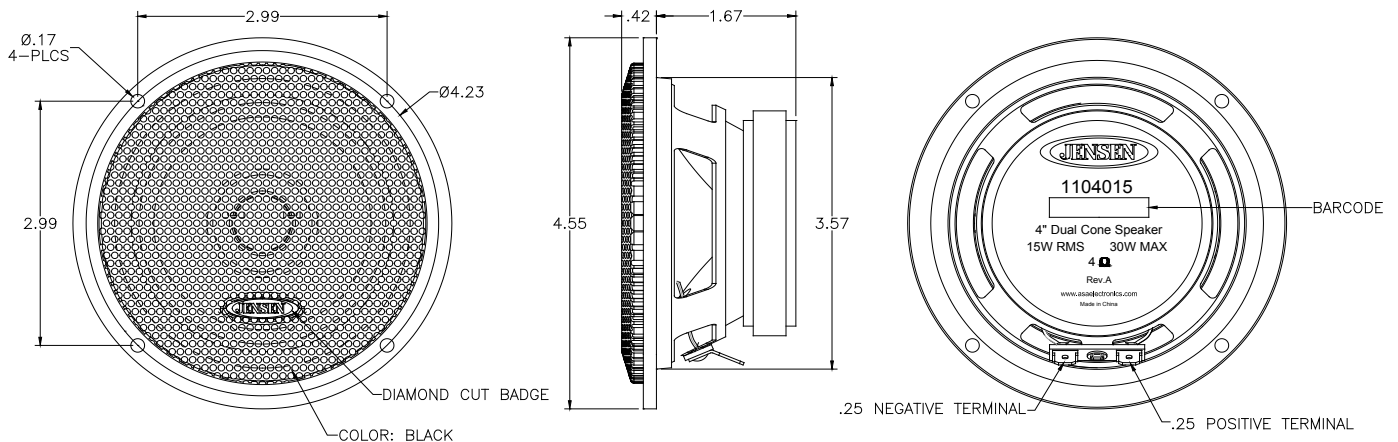
- 30 watts
- Two-way cone
- Compact size: 3.75" diameter and 1.7" depth
- Black metal mesh grille
- Paper cone
- Cloth suspension/surround

DESIGNED TO MOVE [YOU]™

asa
ELECTRONICS™
2602 Marina Drive • Elkhart, IN 46514
www.asaelectronics.com



4" Two-Way Speaker 1104015



Specifications:

General Specifications:

Woofer Size	4"	
Woofer Material	Paper	
Tweeter Type	Dual Cone	
Tweeter Material	Mylar whizzer Cone	
Voice Coil Size	0.8" PSV	
Magnet Weight	5.3oz	
Mounting Depth	1.7"	
Hole Size	3.75"	
Impedance	4 Ω	
Temperature Range	-30°C - 70°C	-22°F - 158°F
Max RH	100%	
Terminal Size	Positive - 0.25"	Negative - 0.25"

Performance Specifications:

Frequency Response	80 Hz - 20 KHz
RMS Power	15W
Max Power	30W
SPL @ 1 W/ 1 M	86 dB
Resonant Frequency	160 Hz