



# Multisource 3-zone Stereo

## JWM30



### PRODUCT FEATURES

- 3 speaker zones (A/B/C)
- 6 total speaker outputs (6 x 6 watts)
- Independent volume control for Zones A/B and Zone C
- Dual Bluetooth with A2DP/AVRCP streaming audio
  - Stream from one device in Zones A/B and a second device in Zone C
- Front HDMI input with passthrough to rear HDMI output
- HDMI output supports ARC and CEC function with compatible televisions
- Digital AM/FM Tuner with 12AM/18FM preset stations
- Auto-store/preset scan
- Pre-set equalizer settings (User, Flat, Pop, Classical, and Rock)
- Bass, treble, and balance controls
- Time/Alarm clock with sleep timer
- Dimmable white LED backlit LCD and BLUE LED backlit buttons
- Rear Audio RCA input (1)
- Rear Audio RCA outputs (1 fixed, 1 variable)
- Front USB supports MP3 playback
- Wireless remote control included

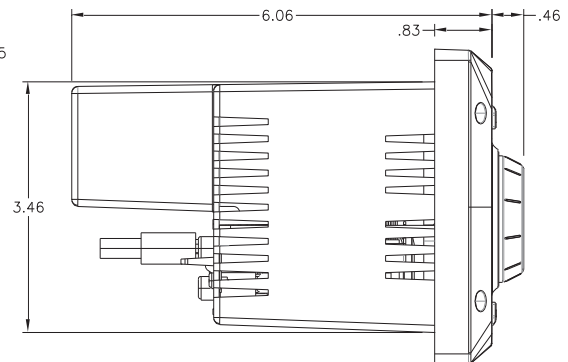
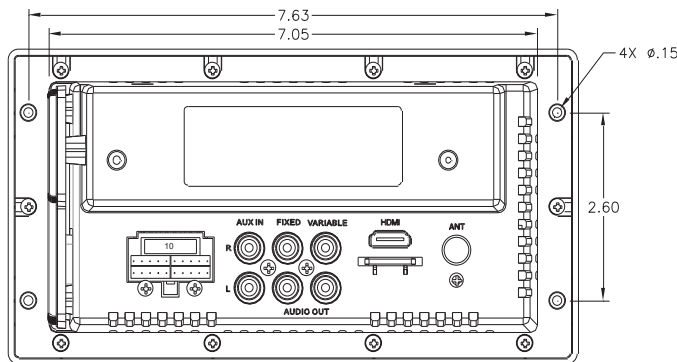
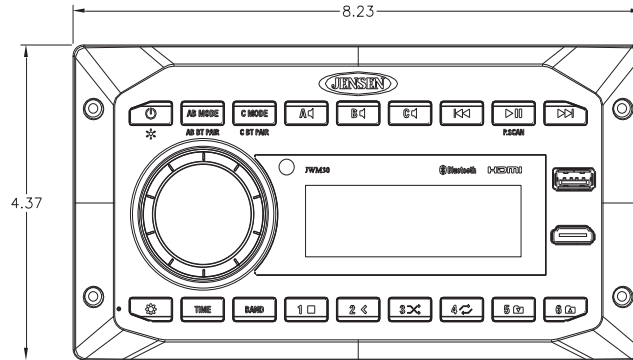
DESIGNED TO MOVE [YOU]<sup>TM</sup>

**asa**  
ELECTRONICS®  
2602 Marina Drive • Elkhart, IN 46514  
[www.asaelectronics.com](http://www.asaelectronics.com)



# Multisource 3-zone Stereo

## JWM30



### Specifications

#### General Specifications

Power System	12 V DC (2-Wire)	
Operating Voltage Range	10 V to 16 V	
Current Draw @ 12V	Quiescent	30 mA
	Nominal	1 A
	Maximum	5 A
Operating Temperature Range	-4°F to 149°F	-20°C to 65°C
Storage Temperature Range	-22°F to 158°F	-30°C to 70°C
Maximum Relative Humidity	95%	
Overall Product Dimensions	8.23" W x 4.37" H x 6.52"	
Product Weight (unpackaged)	1.32 lbs	

#### Performance Specifications

FM Sensitivity	4 uV	
AM Sensitivity	15 uV	
Output Power	RMS	6W x 6
	Maximum	36 Watts
Speaker Impedance Compatibility	4-8Ω	
Total Harmonic Distortion @ Rated Power	1%	
Applied Test Suite	ASA ES0001	
Regulatory Certifications	FCC	