



AM | FM | WX | BT | USB | Bluetooth®
Waterproof Stereo

[JMS42]



KEY FEATURES

- 160 watts (40W x 4)
- 12V DC (2-wire)
- Bluetooth streaming audio (Supports A2DP/AVRCP)
- Waterproof (IPX6)
- Weatherband
- AM/FM tuner
- Rear AUX input (RCA)
- Rear Auxiliary Audio Output (RCA)
- USB MP3/WMA Player
- Conformal coated circuit boards
- UV resistant finishes/materials (ASTM D4329)
- Corrosion resistant materials (ASTM B117)

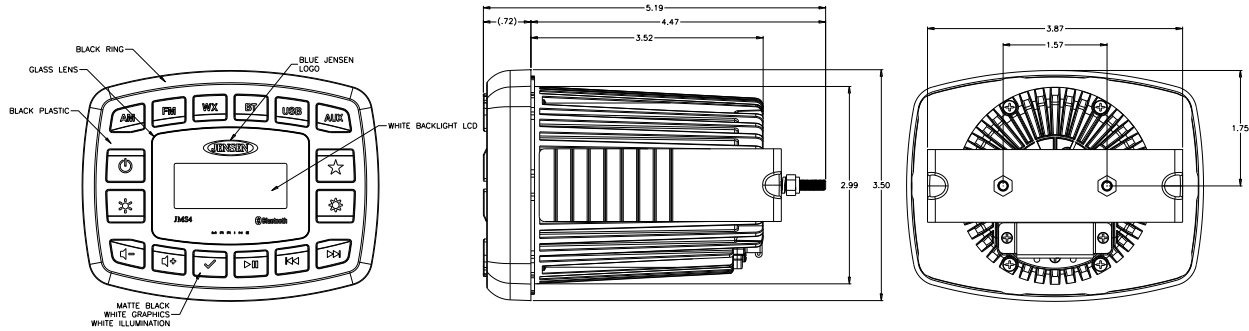
MARINE CERTIFIED

asa
ELECTRONICS
2602 Marina Drive • Elkhart, IN 46514
www.asaelectronics.com



AM | FM | WB | USB | Bluetooth®
Waterproof Stereo

[JMS42]



Specifications		
General Specifications		
Power System		12 VDC
Operating Voltage Range		10 V to 16V
Current Draw @ 12V	Idle	145 mA
	Nominal	2 A
	Maximum	8 A
Operating Temperature Range		-4°F to 149°F -20°C to 65°C
Storage Temperature Range		-22°F to 158°F -30°C to 70°C
Maximum Relative Humidity		100%
Overall Package Dimensions		3.5" H x 4.5" L x 4.5" D
Product Weight (unpackaged)		1.3 lbs.
Performance Specifications		
FM Sensitivity		<5μV
AM Sensitivity		<63μV
Output Power	RMS	15 W x 4
	Maximum	40 W x 4
Total Harmonic Distortion		1 %
Applied Test Suite		ASA ES0001
Regulatory Certifications		FCC Part 15; CE; RoHS