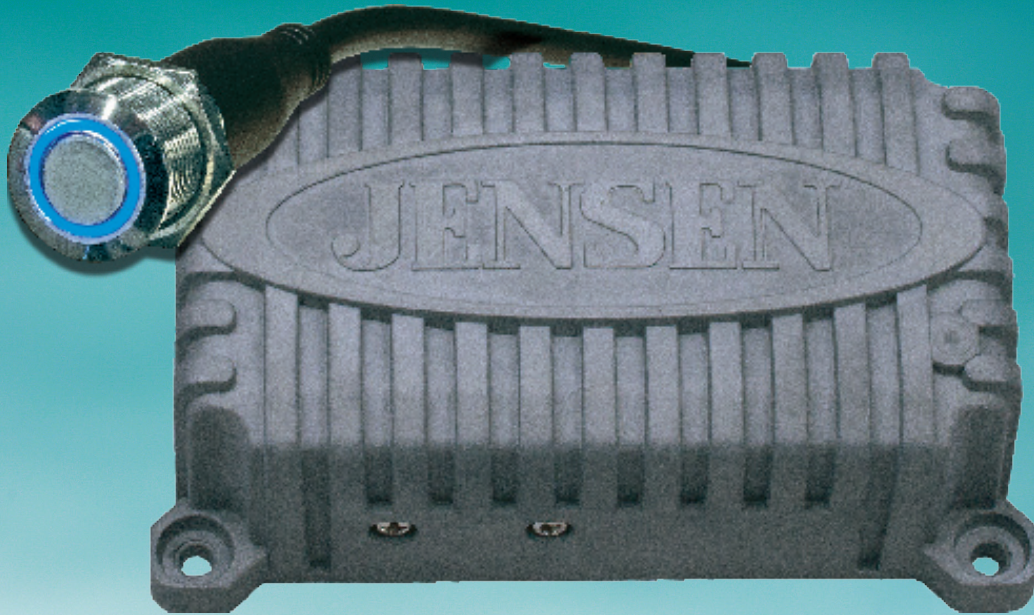




2-Channel, Bluetooth® Amplifier [JAHD240BTR]



KEY FEATURES:

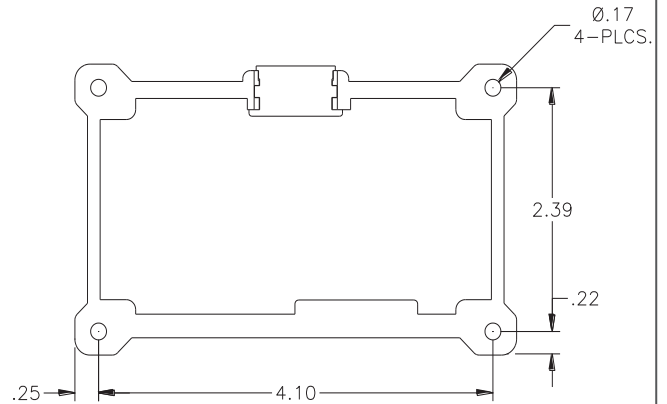
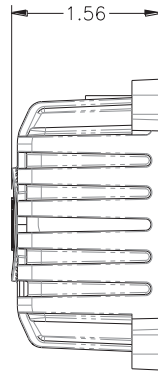
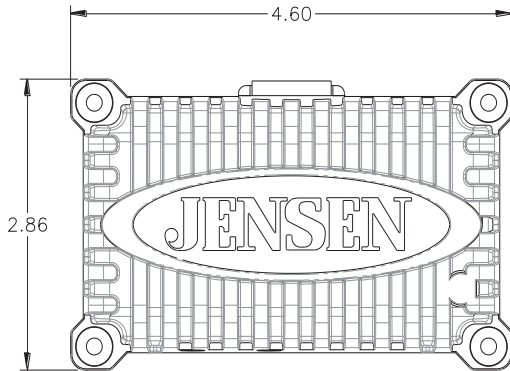
- 80 watts max (40 watts RMS)
- Bluetooth® streaming audio (A2DP)
- Waterproof (IPX6)
- Flush-mounted power button with blue LED light indicator
- Epoxy potted enclosure
- 10 amp fuse in waterproof holder
- 4 ohm ~ 8 ohm stable
- Operating voltage: 10 - 18VDC
- Frequency response: 20 Hz - 20KHz
- Corrosion resistant (ASTM B117)
- UV resistant (ASTM D4329)

MARINE CERTIFIED

asa
ELECTRONICS®
2602 Marina Drive • Elkhart, IN 46514
www.asaelectronics.com



2-Channel, Bluetooth[®] Amplifier [JAHD240BTR]



Specifications

General Specifications

Power System	12V DC	
Operating Voltage Range	10V to 16V	
Current Draw @ 12V	Idle	1 mA
	Nominal	2.6 A
	Maximum	5.0 A
Operating Temperature Range	-22°F to 185°F	-30°C to 85°C
Storage Temperature Range	-40°F to 185°F	-40°C to 85°C
Maximum Relative Humidity	100%	
Product Weight (unpacked)	1.5 lb	
Output Power RMS	2 x 20Watts	
Output Power Maximum	2 x 40Watts	
Total Harmonic Distortion (1W @ 1Khz)	0.5%	
Applied Test Suite Environ/ Electrical	ASA ES0013	
Regulatory Certification	FCC, CE, Bluetooth, E-Mark, UL60065	