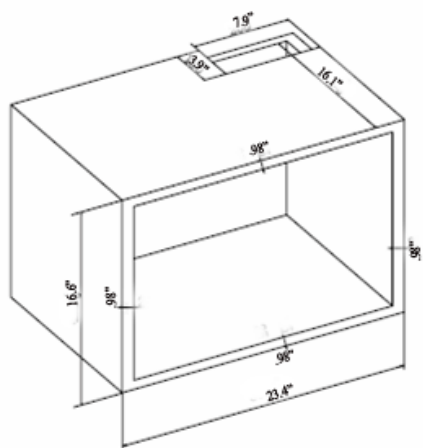
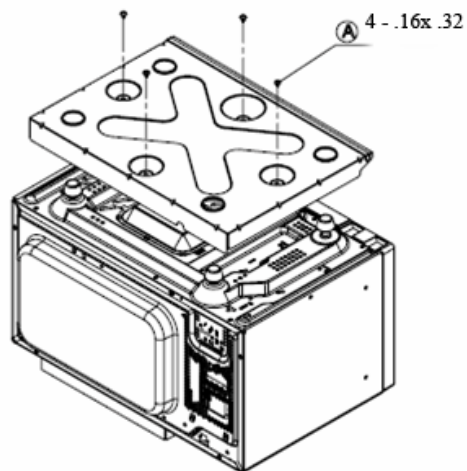


Sequence	Name	Quantity
①	Cabinet	1
②	Microwave Oven	1
③	Shutter	1
④	Down Exhaust Guide	1
A	Screw#8	8
B	Screw#16	4

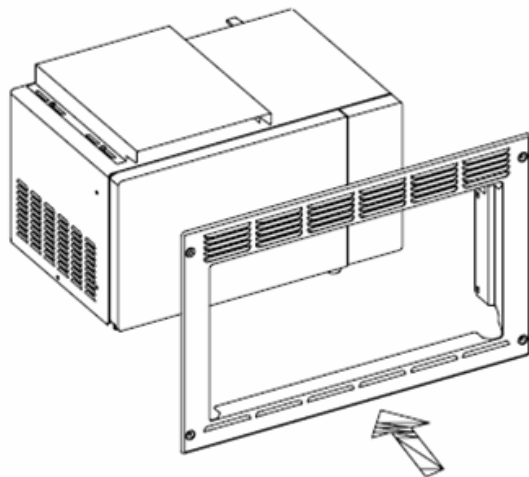


Make a cabinet to the dimension



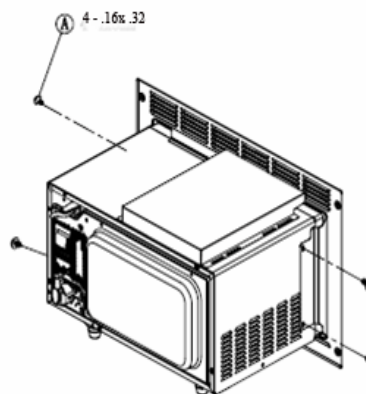
Fasten the "Down Exhaust Guide" to the Microwave Oven with 4 screws.

1



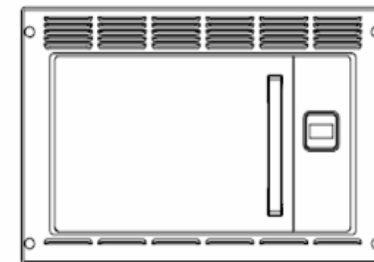
Place the shutters onto the oven

2



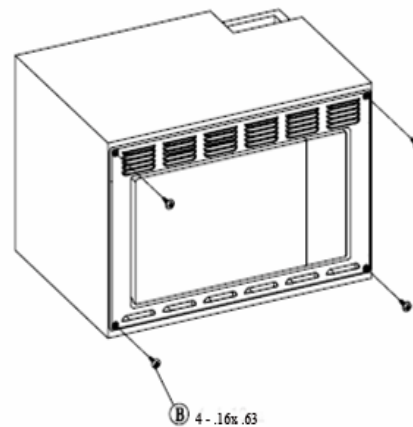
Fasten the shutters onto the oven with 4 screws

3



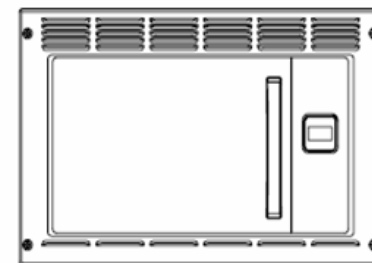
Place the oven into cabinet

4



Fasten the oven into the cabinet with 4 screws

5



Installation completion

6

