

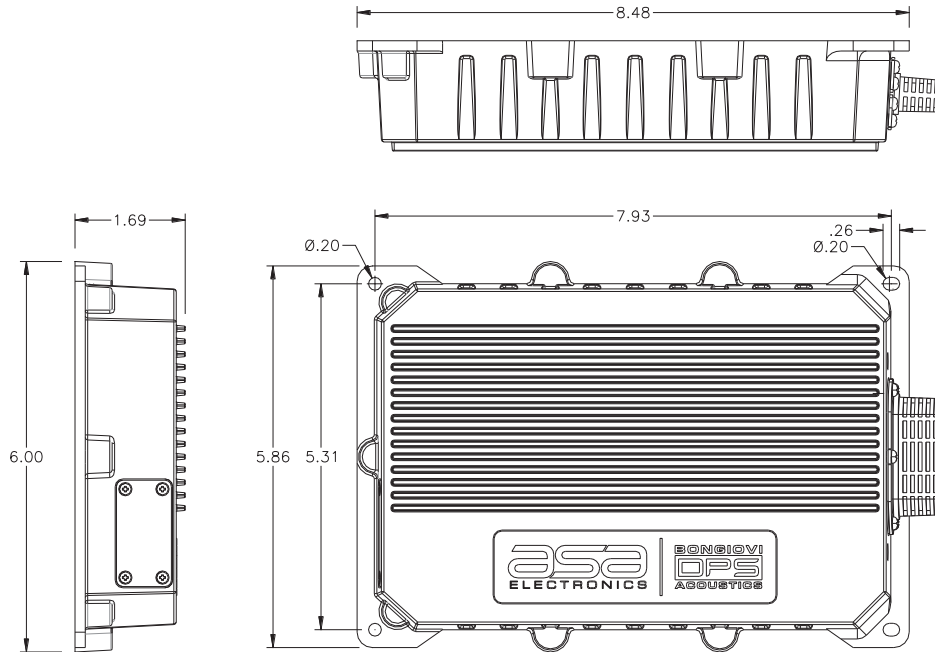


#### KEY FEATURES

- Class D full range design
- Integrated Bongiovi Digital Power Station DPS Technology
- 10 Preprogrammed DSP profile memory locations (selectable by rotary switch)
- 6 Channels (50 Watts RMS per channel)
- Output bridgeable for subwoofer (channels 5&6)
- Compact size
- Black powder coated chassis
- OEM connectivity
- Balanced differential RCA input (compatible with single ended signals)
- Marine grade amphenol AT series connectors
- Remote turn on
- IPX5 rated chassis
- Sea salt corrosion resistant chassis (ASTM D1141)
- UV rated chassis (ASTM-D 4329-99)

**PRELIMINARY**





<b>Specifications</b>		
Power System	12V DC	
Operating Voltage Range	10V to 16V	
Current Draw @ 12V	Idle	3 mA
	Nominal	30 A
	Maximum	40 A
Operating Temperature Range	-4°F to 140°F	-20°C to 60°C
Storage Temperature Range	-40°F to 185°F	-40°C to 85°C
Maximum Relative Humidity	100 %	
Product Weight (unpackaged)	3.5 lbs.	
RMS Power	6 x 50W @ 4Ω	
Max Power	6 x 70W @ 4Ω	
RMS Power (Ch 5&6 bridged mode)	210 W @ 4 Ω	
S/N	92 dB	
THD + N @ Rated Power	<0.1 % @ 4Ω	
Frequency Response	20Hz - 20KHz	
Fuse Rating	40 A	
Applied Test Suite	ASA ES0001	
Regulatory Certification	CE	