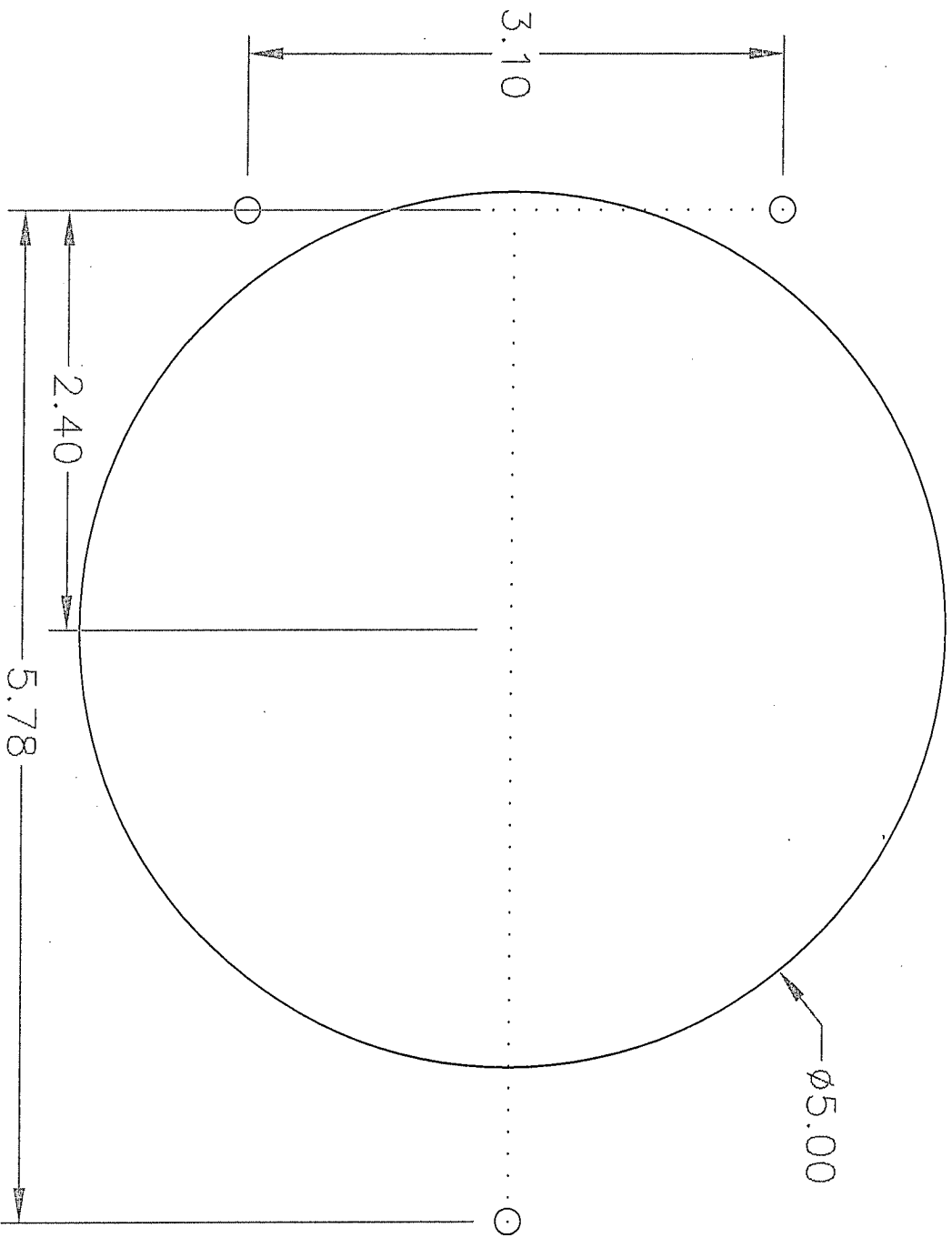


# Speaker Mounting Template

MODEL: JXA3RT



Front(Logo) of  
speaker

**PRINTOUT MUST BE 1:1 (100%.) PLEASE VERIFY TEMPLATE TO SPEAKER BEFORE CUTTING MOUNTING SURFACE.**