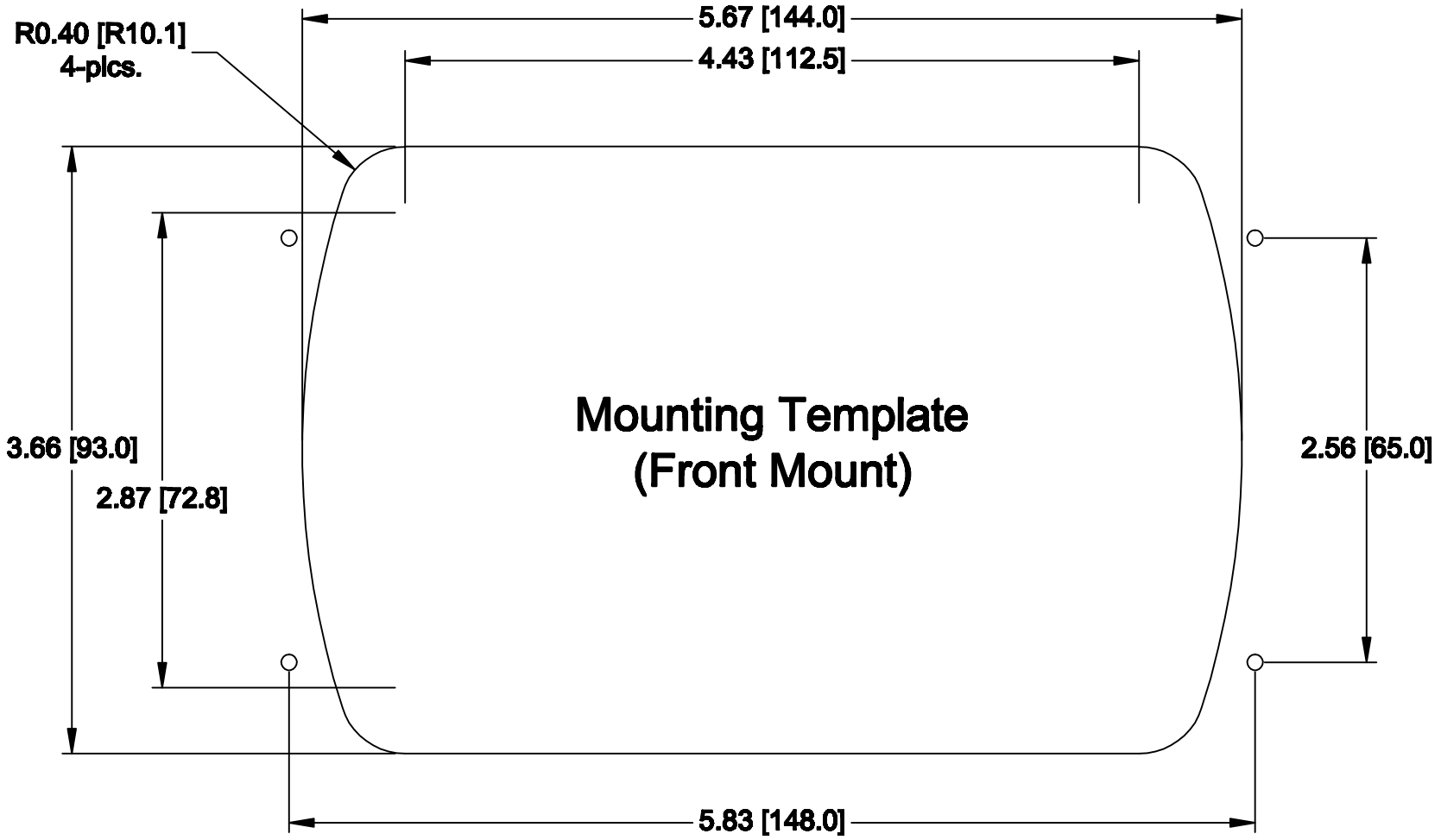


**R0.40 [R10.1]**  
**4-plcs.**



**Mounting Template**  
**(Front Mount)**